

Dell PowerVault MD3600i and  
MD3620i Storage Arrays

# Getting Started With Your System

Mise en route

Introdução ao uso do sistema

Introducción al sistema





Dell PowerVault MD3600i and  
MD3620i Storage Arrays

# Getting Started With Your System

Regulatory Model Series E03J and E04J



# Notes, Cautions, and Warnings



**NOTE:** A NOTE indicates important information that helps you make better use of your computer.



**CAUTION:** A CAUTION indicates potential damage to hardware or loss of data if instructions are not followed.



**WARNING:** A WARNING indicates a potential for property damage, personal injury, or death.

---

**Information in this publication is subject to change without notice.**

**© 2011 Dell Inc. All rights reserved.**

Reproduction of these materials in any manner whatsoever without the written permission of Dell Inc. is strictly forbidden.


Trademarks used in this text: Dell™, the DELL logo, and PowerVault™ are trademarks of Dell Inc. Microsoft® and Windows Server® are either trademarks or registered trademarks of Microsoft Corporation in the United States and/or other countries. Red Hat® and Red Hat Enterprise Linux® are registered trademarks of Red Hat, Inc. in the United States and other countries. SUSE® is a registered trademark of Novell, Inc. in the United States and other countries. VMware® is a registered trademark of VMware, Inc. in the United States and/or other jurisdictions.

Other trademarks and trade names may be used in this publication to refer to either the entities claiming the marks and names or their products. Dell Inc. disclaims any proprietary interest in trademarks and trade names other than its own.

**Regulatory Model Series E03J and E04J**


**2011 - 08    P/N 407CV    Rev. A02**

## Before You Begin

 **NOTE:** Throughout the document, Dell PowerVault MD3600i series storage array refers to both Dell PowerVault MD3600i and Dell PowerVault MD3620i. Dell PowerVault MD1200 series expansion enclosure refers to both Dell PowerVault MD1200 and Dell PowerVault MD1220.

Before setting up your Dell PowerVault MD3600i series storage array, you must consider certain best practices to ensure that your storage array operates at maximum efficiency and offers full redundancy (if required).

- The PowerVault MD3600i series storage array is a 10GBase-T product that requires a 10GBase-T capable infrastructure that consists of Category 6 or higher cables, 10GBase-T capable patch panels, and switches.
- Existing 1GBase-T infrastructures can be used either through a 10GBase-T switch, that interconnects the 10GBase-T network, or by manually configuring the iSCSI ports to run at 1GBase-T speeds. You can also use the Modular Disk Configuration Utility (MDCU) to configure the port speeds. For more information about MDCU, see "Installing the MD Storage Software" on page 14.

 **NOTE:** Auto-negotiation is not supported and the operation speed must be configured manually.

- Throughout the network, always use a Category 6 (or higher) Ethernet cable.
- It is recommended that you use a dedicated IP SAN for iSCSI data transmission. Management traffic can be isolated on a separate management network.
- Complete the iSCSI configuration worksheet before configuring iSCSI. See "Completing the iSCSI Worksheet" on page 5. This worksheet gathers physical network information in a single source.
- After completing the iSCSI worksheet, draw the configuration before setting up the solution.
- Always configure redundant iSCSI data paths to provide alternate paths to and from the host server should one of the data paths become disabled.

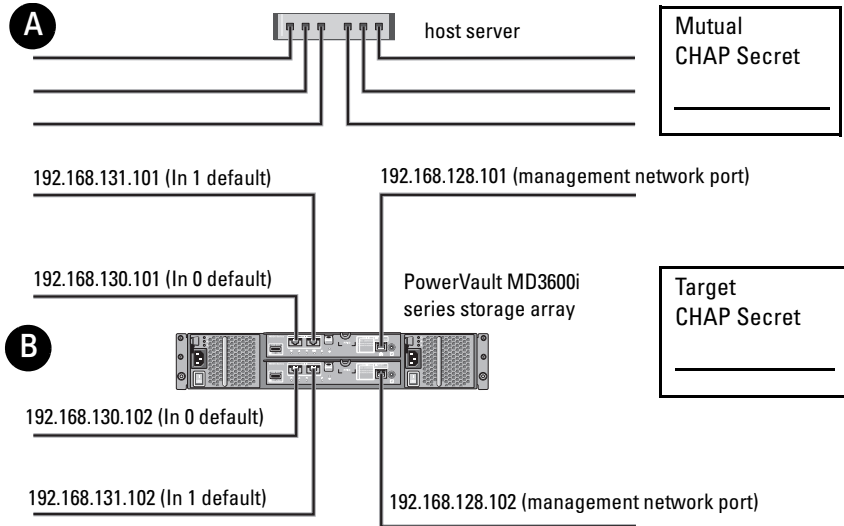
- If multiple NICs are installed on a host, it is recommended that you use different subnets for management and iSCSI data links.
- Before connecting any cables between the host server and storage array, physically label each port and connector.
- Always follow proper power-up and power-down procedures when cycling power across the network. You must also ensure that critical network components are on separate power circuits.



**NOTE:** The illustrations in this document show cabling for only one PowerVault MD3600i series storage array in a SAN environment. The illustrations also show only the default IP addresses for the PowerVault MD3600i series storage array. To cable more than one PowerVault MD3600i series storage array in a SAN environment, see the *Deployment Guide*.

# Completing the iSCSI Worksheet

## IPv4 Settings



*If you need additional space for more than one host server, use an additional sheet.*

**NOTE:** Challenge Handshake Authentication Protocol (CHAP) is an optional iSCSI authentication method where the storage array (target) authenticates iSCSI initiators on the host server. For more information, see “Understanding CHAP Authentication” in the *Deployment Guide*.


<b>A</b> Static IP address (host server)	Subnet mask	Default gateway
iSCSI port 0	_____	_____
iSCSI port 1	_____	_____
Management port	_____	_____

<b>B</b> Static IP address (storage array)	Subnet mask	Default gateway
iSCSI controller 0, In 0	_____	_____
iSCSI controller 0, In 1	_____	_____
Management port cntnl 0	_____	_____
iSCSI controller 1, In 0	_____	_____
iSCSI controller 1, In 1	_____	_____
Management port cntnl 1	_____	_____


 **NOTE:** For information about the IPv6 worksheet, see the *Deployment Guide*.

## Other Documentation and Media You May Need

 **WARNING:** See the safety and regulatory information that shipped with your system. Warranty information may be included within this document or as a separate document.

 **NOTE:** All PowerVault MD3600i series storage array documents are available at [support.dell.com/manuals](http://support.dell.com/manuals).

- The rack documentation included with your rack solution describes how to install your system into a rack.
- The *Owner's Manual* provides information about system features and describes how to troubleshoot the system and install or replace system components.
- The *Deployment Guide* provides information about installing and configuring the software and hardware.
- The *CLI Guide* provides information about using the command line interface (CLI) to configure and manage your storage array.
- The *SMI-S Provider Installation Guide* provides information about installing the SMI-S provider.
- Any media that ships with your system that provides documentation and tools for configuring and managing your system, including those pertaining to the operating system, system management software, system updates, and system components that you purchased with your system.

 **NOTE:** Always check for updates on [support.dell.com/manuals](http://support.dell.com/manuals) and read the updates first because they often supersede information in other documents.



# Preparing the Host Server

## Supported Operating Systems

- Microsoft Windows Server
- Red Hat Enterprise Linux
- SUSE Linux Enterprise Server
- VMware



**NOTE:** For the latest information on all supported operating system versions, see the *Support Matrix* at [support.dell.com/manuals](http://support.dell.com/manuals).

## Additional NICs for iSCSI

When installing additional NICs, it is recommended that:

- You use dedicated redundant storage networks for iSCSI traffic. If a dedicated network is not feasible, isolate the iSCSI traffic from general network traffic using virtual local area networks (VLAN).
- You use additional NICs dedicated for iSCSI traffic.
- The NICs must be added in pairs for redundancy.



**NOTE:** A single NIC is also supported.

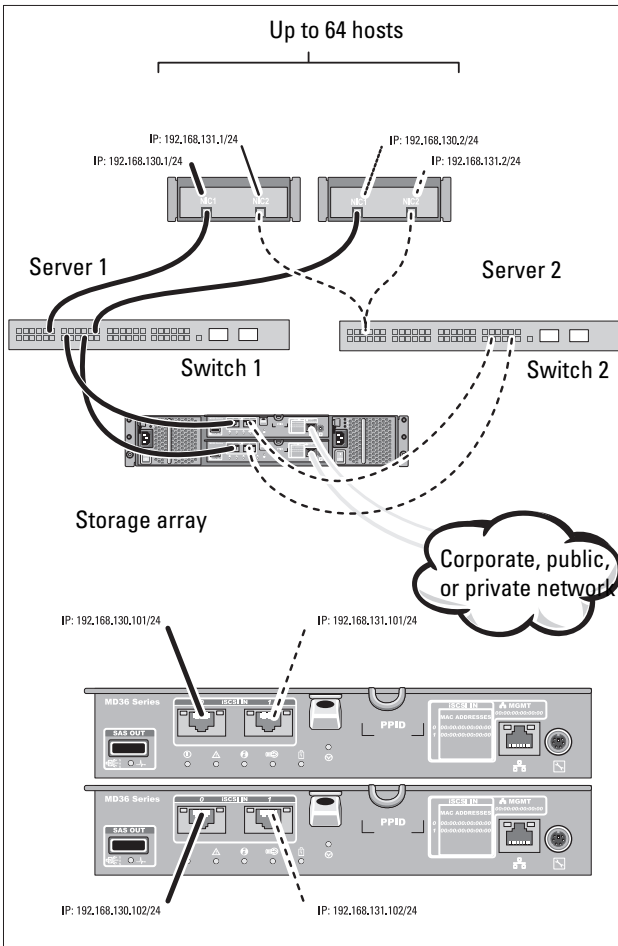
## NIC Configuration

In a SAN environment, depending on the number of switches, it is recommended that you use two unique subnets for iSCSI traffic. For direct-attached storage environments, each NIC directly connected to the PowerVault MD36xxi must be on a separate subnet. All host IP addresses must be configured before installing the MD storage software.

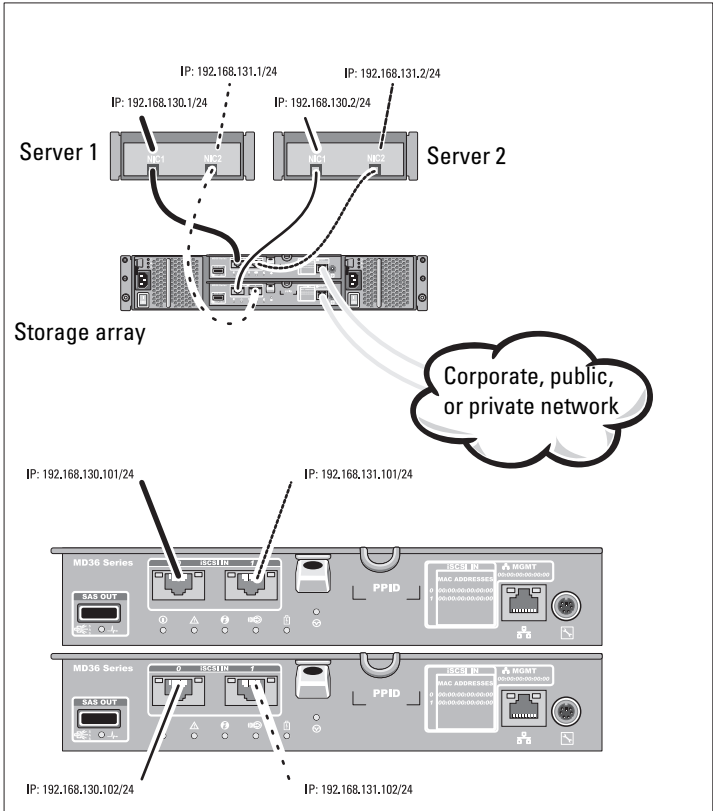
# Common Configurations

## Cabling Your SAN-Attached Hosts


Connect all cables between the servers, switches, and storage arrays as shown in the following illustration. For more examples of cabling the storage arrays, see the *Deployment Guide* at [support.dell.com/manuals](http://support.dell.com/manuals).



## Cabling Your Direct-Attached Hosts



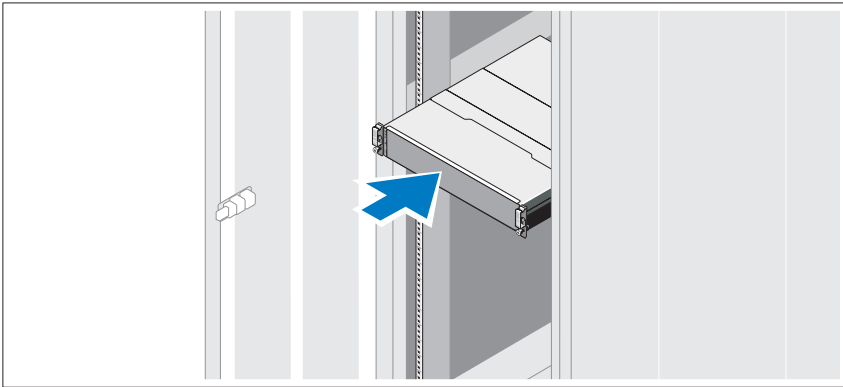
# Installation and Configuration

 **WARNING:** Before performing the following procedure, review the safety instructions that came with the system.


## Unpacking the System

Unpack your system and identify each item with the packing list that shipped with your system.

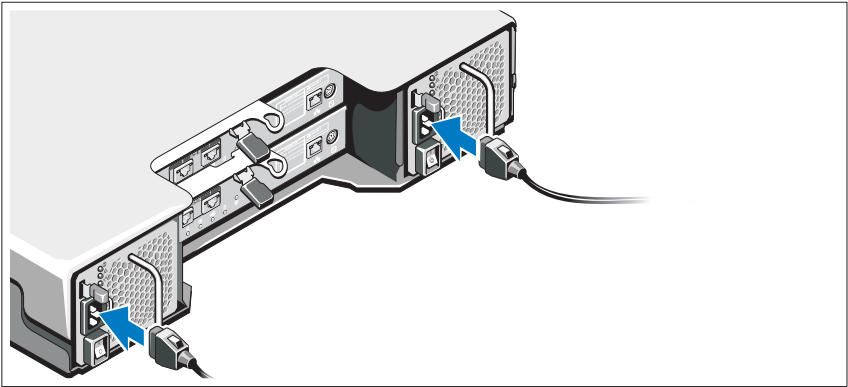
## Installing the Rails and System in a Rack



Assemble the rails and install the system in the rack following the safety instructions and the rack installation instructions provided with your system.

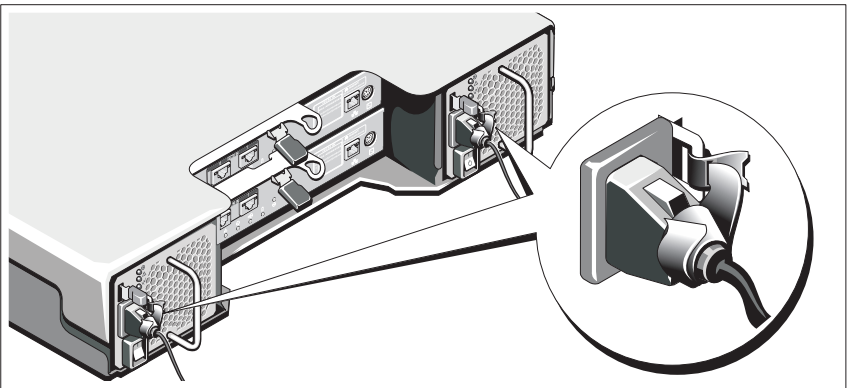
 **NOTE:** To balance the weight load, it is recommended that you install the PowerVault MD3600i series storage arrays at the bottom of the rack and the PowerVault MD1200 series expansion enclosures above it.

## Connecting the Power Cable(s)



Ensure that the power switch is in the OFF position before connecting the power cables. Connect the system's power cable(s) to the system.

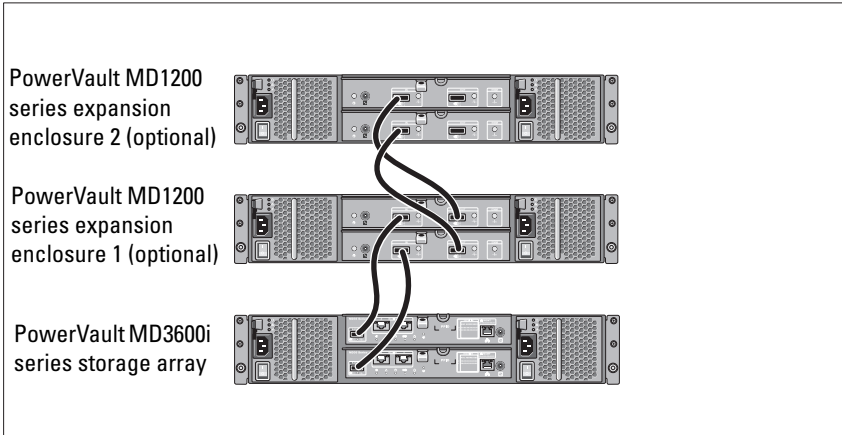
## Securing the Power Cable(s)



Secure the cable(s) firmly to the bracket using the provided strap.

Plug the other end of the power cable(s) into a grounded electrical outlet or a separate power source such as an uninterruptible power supply (UPS) or a power distribution unit (PDU). Each power supply must be connected to a separate power circuit.

## Cabling Your Expansion Enclosure



## Turning On the Enclosure

Turn on components in the following order

- 1 Ethernet switches (if used)
- 2 PowerVault MD1200 series expansion enclosures (if used)

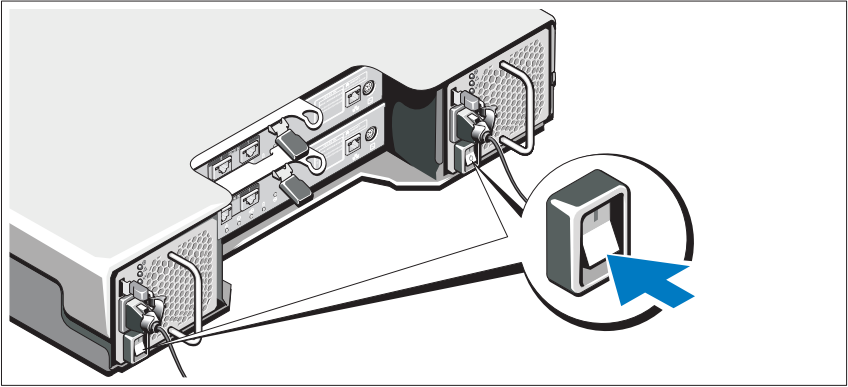


**NOTE:** Before turning on the storage array, ensure that the expansion enclosure status LED on the front of the enclosure is blue.

- 3 PowerVault MD3600i series storage array

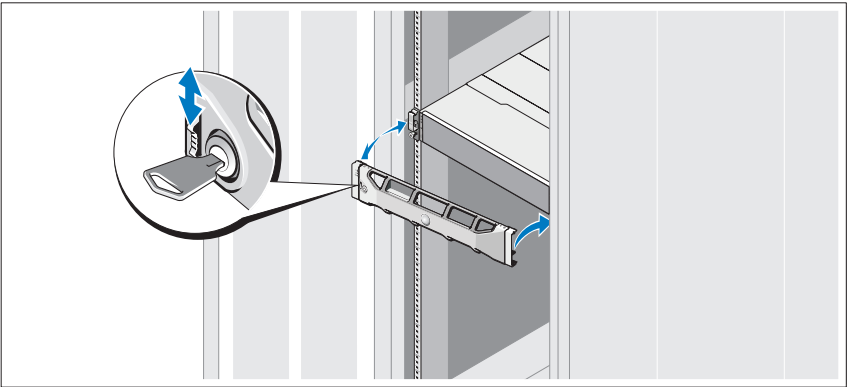


**NOTE:** Before turning on the host server(s), ensure that the storage array status LED on the front of the storage array is blue.




4 Host server(s)

### Installing the Bezel



Install the bezel (optional).


## Installing the MD Storage Software

 **NOTE:** For detailed instructions about installing the MD storage software, setting up the enclosure, and the post-installation tasks, see the *Deployment Guide*.

The MD Storage Manager software configures, manages and monitors the storage array. The MD Configuration Utility (MDCU) is an optional utility that provides a consolidated approach for configuring the management and iSCSI host ports, and creating sessions for the iSCSI modular disk storage arrays. It is recommended that you use MDCU to configure iSCSI on each host server connected to the storage array. To install the MD storage software:

- 1 Insert the MD series resource media.

Depending on your operating system, the installer may launch automatically. If the installer does not launch automatically, navigate to the root directory of the installation media (or downloaded installer image) and run the `md_launcher.exe` file. For Linux-based systems, navigate to the root of the resource media and run the `autorun` file.

 **NOTE:** By default, the Red Hat Enterprise Linux operating system mounts the resource media with the `-noexec mount` option which does not allow you to run executable files. To change this setting, see the **Readme** file in the root directory of the installation media.

- 2 Select **Install MD Storage Software**.
- 3 Read and accept the license agreement.
- 4 Select one of the following installation options from the **Install Set** drop-down menu:
  - **Full (recommended)**—Installs the MD Storage Manager (client) software, host-based storage agent, multipath driver, and hardware providers.
  - **Host Only**—Installs the host-based storage agent and multipath drivers.
  - **Management**—Installs the management software and hardware providers.
  - **Custom**—Allows you to select specific components.



- 5 Select the MD storage array model(s) you are setting up to serve as data storage for this host server.
- 6 Choose whether to start the event monitor service automatically when the host server reboots or manually



**NOTE:** This option is applicable only to Windows client software installation.

- 7 Confirm the installation location and click **Install**.
- 8 If prompted, reboot the host server after the installation completes.
- 9 When the reboot is complete, the MDCU may launch automatically. If the MDCU does not launch automatically, launch it manually.
  - In a Windows-based operating system, click **Start**→ **Dell**→ **Modular Disk Configuration Utility**.
  - In a Linux-based operating system, double-click the **Modular Disk Configuration Utility** icon on the desktop.



**NOTE:** If MDCU is not installed, see the *Deployment Guide* at [support.dell.com/manuals](http://support.dell.com/manuals).

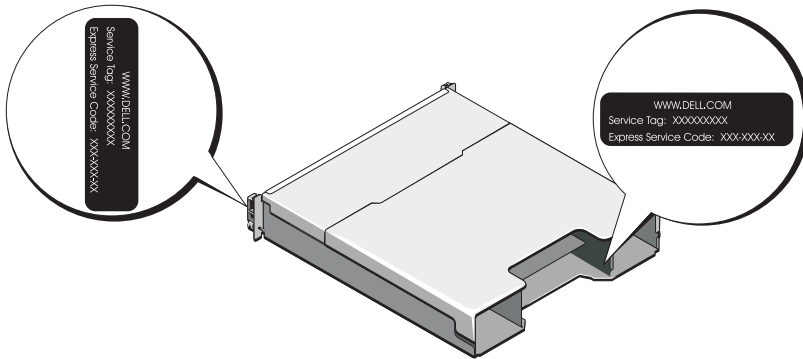
- 10 Start the **MD Storage Manager** and discover the array(s).
- 11 If applicable, activate any premium features purchased with your storage array. If you purchased premium features, see the printed activation card shipped with your storage array.



**NOTE:** The **MD Storage Manager** installer automatically installs the required drivers, firmware, and operating system patches/hotfixes to operate your storage array. These drivers and firmware are also available at [support.dell.com](http://support.dell.com). In addition, see the *Support Matrix* at [support.dell.com/manuals](http://support.dell.com/manuals) for any additional settings and/or software required for your specific storage array.

## Locating Your Service Tag

Your system is identified by a unique Express Service Code and Service Tag number. The Express Service Code and Service Tag are found on the front of the system and at the back of the system next to the RAID controller modules. This information is used by Dell to route support calls to the appropriate personnel.



## NOM Information (Mexico Only)

The following information is provided on the device described in this document in compliance with the requirements of the official Mexican standards (NOM):

Importer:	Dell Inc. de México, S.A. de C.V. Paseo de la Reforma 2620 -11º Piso Col. Lomas Altas 11950 México, D.F.
Model number:	E03J and E04J
Supply voltage:	100–240 V CA
Frequency:	50/60 Hz
Current consumption:	8.6 A

# Technical Specifications

---

## Drives

---

PowerVault MD3600i	Up to twelve 3.5-inch SAS hot-swappable hard drives (3.0 Gbps and 6.0 Gbps)
PowerVault MD3620i	Up to twenty four 2.5-inch SAS hot-swappable hard drives (3.0 Gbps and 6.0 Gbps)

---

## RAID Controller Modules

---

RAID controller modules	<ul style="list-style-type: none"><li>• One or two hot-swappable modules with temperature sensors</li><li>• 2 GB of cache per controller</li></ul>
-------------------------	--

---

## Back-Panel Connectors (Per RAID Controller Module)

---

iSCSI connectors	Two 10 GB iSCSI IN connectors to connect hosts
SAS expansion connector	One SAS OUT port for expansion to an additional PowerVault MD1200 series enclosure. <b>NOTE:</b> SAS connectors are SFF-8088 compliant.
Serial connector	One 6-pin mini-DIN connector <b>NOTE:</b> For technical support use only.
Management Ethernet connector	One 100/1000 Base-T port Ethernet for out-of-band management of the enclosure <b>NOTE:</b> The default management port IP addresses for the primary and secondary RAID controller modules are 192.168.128.101 and 192.168.128.102, respectively. By default, the management ports are set to Dynamic Host Configuration Protocol (DHCP). If the controller is unable to get an IP address configuration from a DHCP server within a specified time out period (approximately 3 minutes), it defaults back to static IP addressing. For more information, see the <i>Deployment Guide</i> .

---

## Expansion

---

PowerVault MD1200 series	Supports a maximum of 192 hard drives with any combination of PowerVault MD1200 or PowerVault MD1220 expansion enclosures. Support for 192 hard drives is a Premium Feature and requires activation. The maximum number of hard drives supported without using the Premium Feature is 120.  Redundant path connectivity provides redundant data paths to each hard drive.
--------------------------	---

---

## Backplane Board

---

Connectors	<ul style="list-style-type: none"><li>• 12 or 24 SAS hard-drive connectors</li><li>• Two power supply/cooling fan module connectors</li><li>• Two sets of RAID controller module connectors</li><li>• One control panel connector for front LEDs and enclosure mode switch</li></ul>
Sensors	Two temperature sensors

---

## LED Indicators

---

Front panel	<ul style="list-style-type: none"><li>• One two-color LED indicator for system status</li><li>• Two single-color LED indicators for power and enclosure mode</li></ul> <p><b>NOTE:</b> The enclosure mode LED is not applicable to the PowerVault MD3600i series storage array.</p>
Hard-drive carrier	<ul style="list-style-type: none"><li>• One single-color activity LED</li><li>• One two-color LED status indicator per drive</li></ul>
Power supply/cooling fan	Three LED status indicators for power supply status, power supply/fan fault, and AC status

---

**LED Indicators (continued)**

---

RAID controller module	Eight single-color LEDs: <ul style="list-style-type: none"><li>• One battery fault</li><li>• One cache active</li><li>• One controller fault</li><li>• One controller power</li><li>• One system identification</li><li>• One management Ethernet activity</li><li>• Two iSCSI IN port activity</li></ul> Four two-color LEDs: <ul style="list-style-type: none"><li>• Two iSCSI IN link speed</li><li>• One SAS OUT link or fault</li><li>• One management Ethernet link speed</li></ul>
------------------------	---

---

**Switch**

---

System identification button	Located on the front control panel. This button is used to locate a system within a rack.
Enclosure mode switch	Located on the front of the system. This switch is not applicable to the PowerVault MD3600i series storage array.
Password reset switch	Located on the back panel of the RAID controller module. This switch is used to reset the storage array password.

---

**Power Supplies**

---

AC power supply (per power supply)	
Wattage	600 W
Voltage	100–240 VAC (8.6 A–4.3 A)
Heat dissipation	100 W
Maximum inrush current	Under typical line conditions and over the entire system ambient operating range, the inrush current may reach a maximum of 55 A per power supply for 10 ms or less.

---

**Available Hard-Drive Power (Per Slot)**

---

PowerVault MD3600i	25 W
PowerVault MD3620i	12 W

---

**RAID Controller Module Power (Per Slot)**

---

Maximum power consumption	100 W
---------------------------	-------

---

**Physical**

---

## PowerVault MD3600i

Height	8.68 cm (3.41 inches)
Width	44.63 cm (17.57 inches)
Depth	60.20 cm (23.70 inches)
Weight (maximum configuration)	29.30 kg (64.6 lb)
Weight (empty)	8.84 kg (19.5 lb)

## PowerVault MD3620i

Height	8.68 cm (3.41 inches)
Width	44.63 cm (17.57 inches)
Depth	54.90 cm (21.61 inches)
Weight (maximum configuration)	24.2 kg (53.4 lb)
Weight (empty)	8.61 kg (19lb)

---

**Environmental**

---

**NOTE:** For additional information about environmental measurements for specific system configurations, see [www.dell.com/environmental\\_datasheets](http://www.dell.com/environmental_datasheets).

## Temperature

Operating	10 °C to 35 °C (50 °F to 95 °F) with a maximum temperature gradation of 10 °C per hour
-----------	--

**NOTE:** For altitudes above 2950 feet, the maximum operating temperature is derated 1°F/550 ft.

---

**Environmental (continued)**

---

Storage	-40° to 65°C (-40° to 149°F) with a maximum temperature gradation of 20°C per hour
Relative humidity	
Operating	20% to 80% (noncondensing) with a maximum humidity gradation of 10% per hour
Storage	5% to 95% (noncondensing)
Maximum vibration	
Operating	0.25 G at 3–200 Hz for 15 min
Storage	0.5 G at 3–200 Hz for 15 min
Maximum shock	
Operating	One shock pulse in the positive z axis (one pulse on each side of the system) of 31 G for 2.6 ms in the operational orientation
Storage	Six consecutively executed shock pulses in the positive and negative x, y, and z axes (one pulse on each side of the system) of 71 G for up to 2 ms
Altitude	
Operating	-16 to 3048 m (-50 to 10,000 ft) <b>NOTE: For altitudes above 2950 feet, the maximum operating temperature is derated 1°F/550 ft.</b>
Storage	-16 to 10,600 m (-50 to 35,000 ft)
Airborne Contaminant Level	
Class	G1 as defined by ISA-S71.04-1985





Matrices de stockage  
Dell PowerVault MD3600i  
et MD3620i

# Mise en route

Séries de modèle réglementaire E03J et E04J



# Remarques, précautions et avertissements



**REMARQUE** : une REMARQUE indique des informations importantes qui peuvent vous aider à mieux utiliser votre ordinateur.



**PRÉCAUTION** : une PRÉCAUTION vous avertit d'un risque d'endommagement du matériel ou de perte de données en cas de non-respect des instructions.



**AVERTISSEMENT** : un AVERTISSEMENT vous avertit d'un risque d'endommagement du matériel, de blessure corporelle ou même de mort.

---

Les informations que contient ce document sont sujettes à modification sans préavis.

© 2011 Dell Inc. Tous droits réservés.

La reproduction de ce document, de quelque manière que ce soit, sans l'autorisation écrite de Dell Inc. est strictement interdite.

Marques utilisées dans ce document : Dell™, le logo DELL et PowerVault™ sont des marques de Dell Inc. Microsoft® et Windows Server® sont des marques ou des marques déposées de Microsoft Corporation aux États-Unis et/ou dans d'autres pays. Red Hat® et Red Hat Enterprise Linux® sont des marques déposées de Red Hat, Inc. aux États-Unis et dans d'autres pays. SUSE® est une marque déposée de Novell, Inc. aux États-Unis et dans d'autres pays. VMware® est une marque déposée de VMware, Inc. aux États-Unis et/ou dans d'autres juridictions.

D'autres marques et noms commerciaux peuvent être utilisés dans ce document pour faire référence aux entités revendiquant la propriété de ces marques ou de ces noms de produits. Dell Inc. rejette tout intérêt exclusif dans les marques et les noms commerciaux autres que les siens.

Séries de modèle réglementaire E03J et E04J

2011 - 08    N/P 407CV    Rév. A02

## Avant de commencer



**REMARQUE :** dans ce document, les références à la matrice de stockage Dell PowerVault série MD3600i concernent les matrices de stockage Dell PowerVault MD3600i et Dell PowerVault MD3620i. Les références au boîtier d'extension Dell PowerVault série MD1200 concernent les matrices de stockage Dell PowerVault MD1200 et Dell PowerVault MD1220.

Avant d'installer votre matrice de stockage Dell PowerVault série MD3600i, vous devez considérer certaines pratiques d'excellence pour assurer le fonctionnement le plus efficace possible de votre matrice de stockage et une redondance complète (si nécessaire).

- La matrice de stockage PowerVault MD3600i est un produit 10GBase-T exigeant une infrastructure compatible 10GBase-T constituée de câbles de catégorie 6 ou supérieure, des tableaux de connexions compatibles 10GBase-T et des commutateurs.
- Les infrastructures 1GBase-T existantes peuvent être utilisées à l'aide d'un commutateur 10GBase-T, qui interconnecte le réseau 10GBase-T, ou en configurant manuellement les ports iSCSI sur des vitesses 1GBase-T. Vous pouvez également utiliser l'utilitaire de configuration de disques modulaires (MDCU) pour configurer la vitesse des ports. Pour plus d'informations sur le MDCU, voir « Installation du logiciel MD Storage », à la page 36.



**REMARQUE :** l'auto-négociation n'est pas prise en charge et la vitesse de fonctionnement doit être configurée manuellement.

- Utilisez toujours un câble Ethernet de catégorie 6 (ou supérieure) à travers le réseau.
- Il vous est recommandé d'utiliser un IP SAN dédié pour la transmission des données iSCSI. La gestion de trafic peut être isolée sur un réseau de gestion distinct.
- Renseignez la liste de vérification de configuration de l'interface iSCSI avant de configurer iSCSI. Voir « Renseigner la liste de vérification de l'interface iSCSI », à la page 27. Cette liste permet de regrouper les informations de réseaux physiques en un seul endroit.
- Esquissez la configuration après avoir renseigné la liste de vérification iSCSI et avant de définir la solution.
- Configurez toujours des chemins d'accès aux données iSCSI redondants de manière à fournir différents chemins d'accès allant au serveur hôte et en sortant, dans l'éventualité d'une défaillance de l'un d'eux.

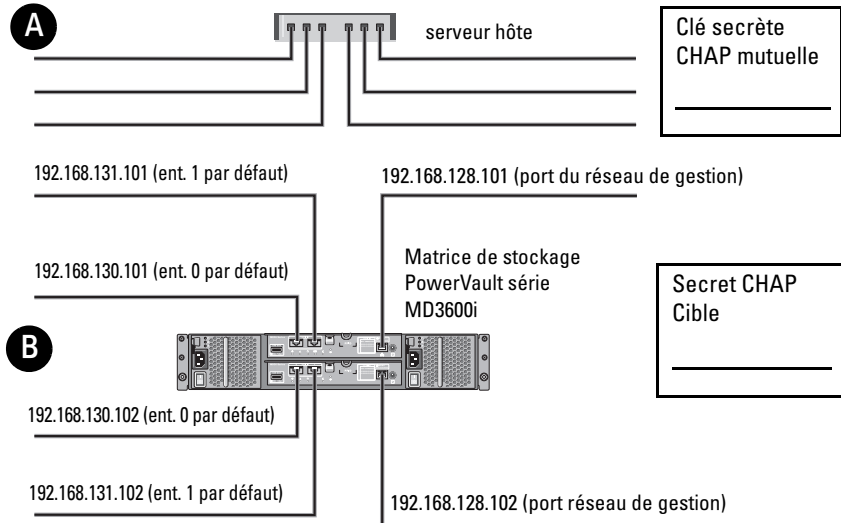
- Si plusieurs cartes réseau sont installées sur un hôte, il vous est recommandé d'utiliser plusieurs sous-réseaux pour la gestion et les liaisons de données iSCSI.
- Avant de connecter tout câble entre le serveur hôte et la matrice de stockage, étiquetez physiquement chaque port et chaque connecteur.
- Suivez toujours les procédures de mise sous et hors tension lors des cycles d'alimentation du réseau. Vous devez également vous assurer que les composants essentiels du réseau se trouvent sur différents circuits d'alimentation.



**REMARQUE :** les illustrations qui figurent dans ce document montrent uniquement le câblage d'une matrice de stockage PowerVault MD3600i dans un environnement de réseau SAN. Elles ne montrent également que les adresses IP par défaut de la matrice de stockage PowerVault MD3600i. Pour câbler plus d'une matrice de stockage PowerVault MD3600i dans un environnement de réseau SAN, voir le *Guide de déploiement*.

# Renseigner la liste de vérification de l'interface iSCSI

## Paramètres IPv4



Au besoin, utilisez une feuille supplémentaire (si vous disposez de plusieurs serveurs hôtes, par exemple).

**REMARQUE :** CHAP (Challenge Handshake Authentication Protocol) est une méthode d'authentification iSCSI facultative par laquelle la matrice de stockage (cible) authentifie les initiateurs iSCSI du serveur hôte. Pour en savoir plus sur l'authentification CHAP, voir « Comprendre l'authentification CHAP » dans le *Guide de déploiement*.

### **A** Adresse IP statique (serveur hôte)      Masque de sous-réseau      Passerelle par défaut

Port iSCSI 0	_____	_____	_____
Port iSCSI 1	_____	_____	_____
Port de gestion	_____	_____	_____

### **B** Adresse IP statique (m. de stockage)      Masque de sous-réseau      Passerelle par défaut

Contrôleur iSCSI 0, Ent. 0	_____	_____	_____
Contrôleur iSCSI 0, Ent. 1	_____	_____	_____
Port de gestion cntrl 0	_____	_____	_____
Contrôleur iSCSI 1, Ent. 0	_____	_____	_____
Contrôleur iSCSI 1, Ent. 1	_____	_____	_____
Port de gestion cntrl 1	_____	_____	_____



**REMARQUE** : pour plus d'informations sur la liste de vérification IPv6, voir le *Guide de déploiement*.

## Autre documentation et support dont vous pourriez avoir besoin



**AVERTISSEMENT** : reportez-vous aux informations sur la sécurité et les réglementations qui accompagnent votre système. Les informations sur la garantie se trouvent dans ce document ou dans un document distinct.



**REMARQUE** : tous les documents PowerVault série MD3600i sont disponibles sur le site [support.dell.com/manuals](http://support.dell.com/manuals).

- La documentation fournie avec le rack indique comment installer le système dans un rack.
- Le *Manuel du propriétaire* contient des informations sur les caractéristiques du système, ainsi que des instructions relatives au dépannage et à l'installation ou au remplacement de composants.
- Le *Guide de déploiement* fournit des informations sur l'installation et la configuration du logiciel et du matériel.
- Le *Guide CLI* fournit des informations sur l'utilisation de l'interface de ligne de commande (CLI) pour configurer et gérer votre matrice de stockage.
- Le *Guide d'installation de l'opérateur SMI-S* procure des informations sur l'installation de l'opérateur SMI-S.
- Tous les supports fournis avec le système contiennent de la documentation et des outils de configuration et de gestion du système, notamment du système d'exploitation même et du logiciel de gestion du système ; les supports contiennent également des mises à jour et les composants système que vous avez achetés avec le système.



**REMARQUE** : vérifiez toujours si des mises à jour sont disponibles sur le site [support.dell.com/manuals](http://support.dell.com/manuals) et lisez-les en premier, car elles remplacent souvent les informations que contiennent les autres documents.

# Préparation du serveur hôte

## Systèmes d'exploitation pris en charge

- Microsoft Windows Server
- Red Hat Enterprise Linux
- SUSE Linux Enterprise Server
- VMware



**REMARQUE** : pour les informations les plus récentes sur toutes les versions de systèmes d'exploitation prises en charge, reportez-vous à la *Matrice de support* sur [support.dell.com/manuals](http://support.dell.com/manuals).

## Cartes réseau supplémentaires pour l'interface iSCSI

Lors de l'installation de cartes réseau supplémentaires, il vous est recommandé de :

- Utiliser des réseaux de stockage redondants dédiés pour le trafic iSCSI. Isoler le trafic iSCSI du trafic de réseau général à l'aide du réseau local virtuel (VLAN) si un réseau dédié n'est pas disponible.
- Utiliser des cartes réseau dédiées supplémentaires pour le trafic iSCSI.
- Les cartes réseau doivent être ajoutées par paires pour la redondance.



**REMARQUE** : une carte réseau seule est également prise en charge.

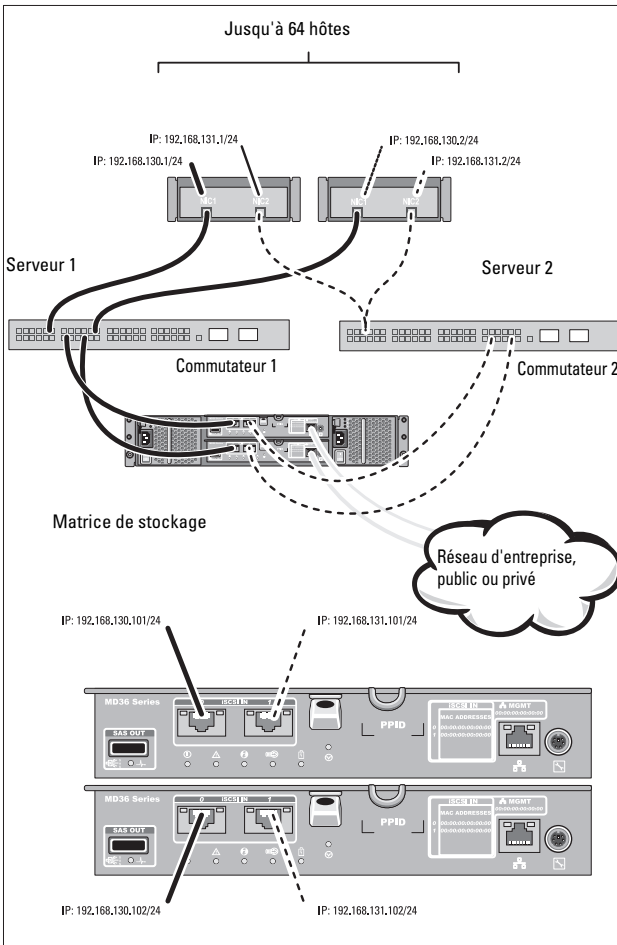
## Configuration de carte réseau

Dans un environnement de réseau SAN, selon le nombre de commutateurs, il vous est recommandé d'utiliser deux sous-réseaux uniques pour le trafic iSCSI. Pour des environnements de stockage reliés directement, chaque carte réseau en connexion directe avec la matrice de stockage MD36xxi doit se trouver sur un sous-réseau différent. Toutes les adresses IP des hôtes doivent être configurées avant l'installation du logiciel de stockage MD.

# Configurations courantes

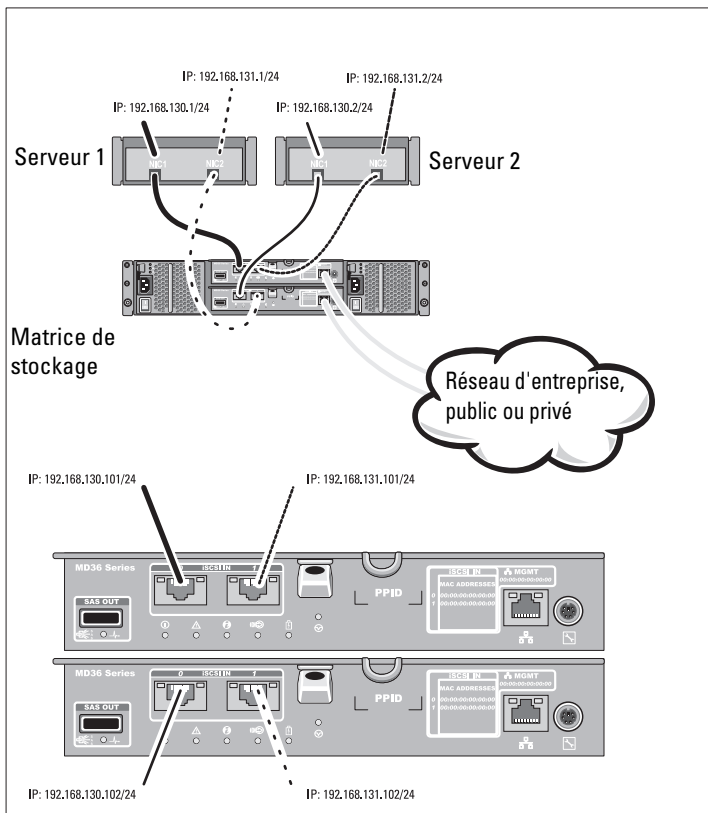
## Câblage des hôtes reliés au réseau SAN

Connectez tous les câbles entre les serveurs, les commutateurs et les matrices de stockage comme illustré ci-après. Pour davantage d'exemples de câblage des matrices de stockage, voir le *Guide de déploiement* sur [support.dell.com/manuals](http://support.dell.com/manuals).





## Câblage des hôtes reliés directement



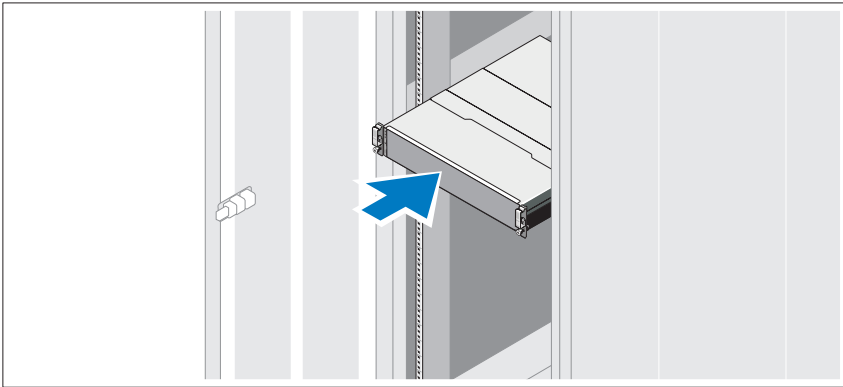
# Installation et configuration

 **AVERTISSEMENT :** avant d'exécuter la procédure ci-dessous, lisez les consignes de sécurité fournies avec le système.


## Déballage du système

Déballer votre système et identifier chaque élément en consultant la liste de composants livrée avec votre système.

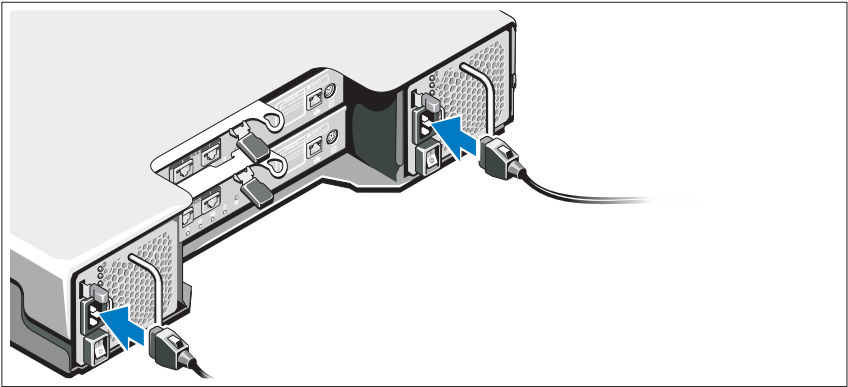
## Installation des rails et du système dans un rack



Assemblez les rails et installez le système dans le rack en suivant les consignes de sécurité et les instructions d'installation du rack fournies avec votre système.

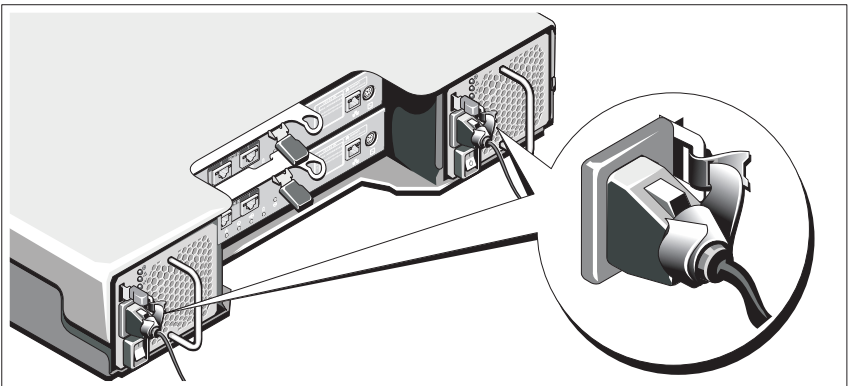
 **REMARQUE :** pour équilibrer la charge, nous vous recommandons d'installer le PowerVault série MD3600i en bas du rack et les boîtiers d'extension PowerVault MD1200 au-dessus.

## Branchement du ou des câbles d'alimentation



Avant de connecter les câbles d'alimentation, assurez-vous que le commutateur d'alimentation est en position OFF (ÉTEINT). Branchez le ou les câbles d'alimentation sur le système.

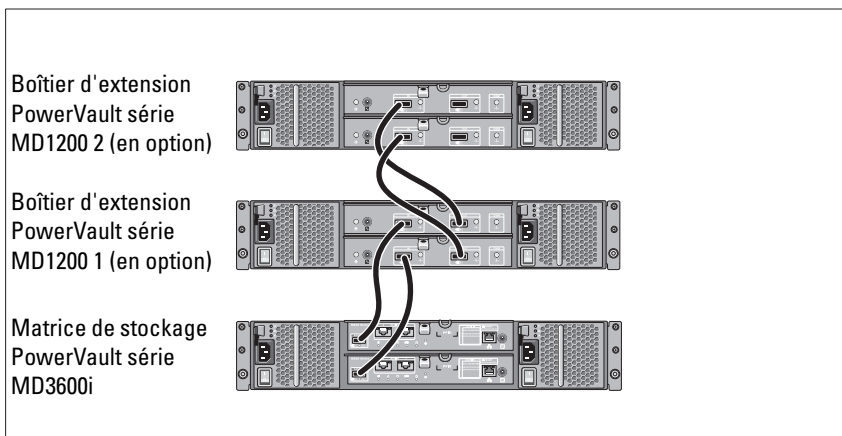
## Fixation du ou des câbles d'alimentation



Fixez fermement les câbles au support de fixation à l'aide de la lanière fournie.

Branchez ensuite l'autre extrémité du ou des câbles sur une prise de courant mise à la terre ou sur une source d'alimentation autonome (onduleur (UPS) ou unité de distribution de l'alimentation (PDU)). Chaque bloc d'alimentation doit être connecté à un circuit d'alimentation séparé.


## Câblage de votre boîtier d'extension




## Mise sous tension du boîtier

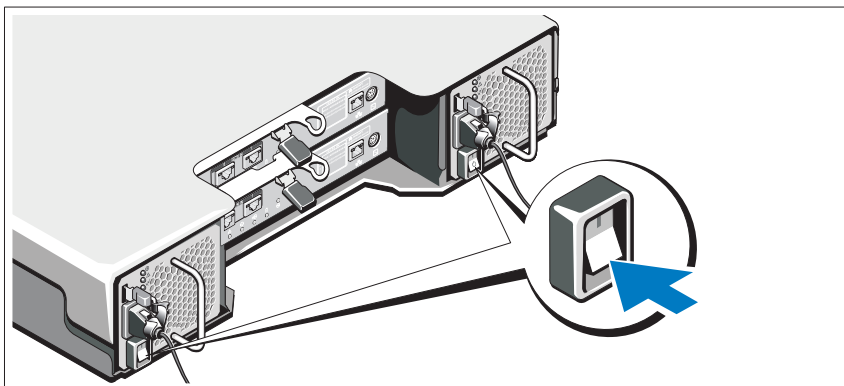
Mettez les composants sous tension dans l'ordre suivant

- 1 Commutateurs Ethernet (si utilisés)
- 2 Boîtiers d'extension PowerVault série MD1200 (si utilisés)

 **REMARQUE** : avant d'allumer la matrice de stockage, assurez-vous que le voyant d'état du boîtier d'extension à l'avant du boîtier est bleu.

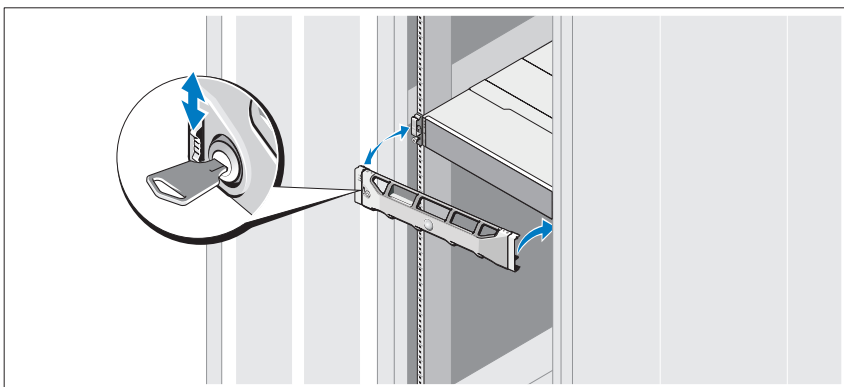
- 3 Matrice de stockage PowerVault série MD3600i

 **REMARQUE** : avant d'allumer le(s) serveur(s) hôte(s), assurez-vous que le voyant d'état de la matrice de stockage à l'avant de la matrice est bleu.



#### 4 Serveur(s) hôte

### Installation du cadre



Installez le cadre (en option).

## Installation du logiciel MD Storage



**REMARQUE :** pour des instructions détaillées concernant l'installation du logiciel de stockage MD, la configuration du boîtier et les tâches après installation, reportez-vous au *Guide de déploiement*.

L'application MD Storage Manager configure, gère, et contrôle la matrice de stockage. L'utilitaire de configuration MD (MDCU) est un utilitaire optionnel qui permet une approche consolidée de la configuration des ports de gestion, des ports hôtes iSCSI et de la création de sessions pour les matrices de stockage sur disques modulaires iSCSI. Il vous est recommandé d'utiliser l'utilitaire MDCU pour configurer iSCSI sur chaque hôte connecté à la matrice de stockage. Pour installer le logiciel de stockage MD :

- 1 Insérez le support Ressource série MD.

En fonction de votre système d'exploitation, l'installateur se lancera peut-être automatiquement. Si l'installateur ne se lance pas automatiquement, naviguez dans le répertoire racine du support d'installation (ou téléchargez l'image d'installateur) et exécutez le fichier `md_launcher.exe`. Pour les systèmes exécutant Linux, naviguez vers la racine du support Ressource et exécutez le fichier `autorun` (Exécution auto).



**REMARQUE :** par défaut, Red Hat Enterprise Linux (RHEL) monte le support Ressource à l'aide de l'option de montage `–noexec mount`, ce qui ne vous permet pas d'exécuter les fichiers exécutables. Pour modifier ce paramètre, consultez le fichier *Lisez-moi* dans le répertoire racine du support d'installation.

- 2 Sélectionnez **Install MD Storage Software** (Installer le logiciel de stockage MD).
- 3 Lisez le contrat de licence et acceptez-le.
- 4 Sélectionnez une des options d'installation suivantes dans le menu déroulant **Install Set** (Configuration d'installation) :
  - **Full (recommended)** (Complète - recommandée) : installe le logiciel (client) MD Storage Manager, l'agent de stockage hôte, le pilote multivoies et les fournisseurs de matériel.
  - **Host Only** (Hôte uniquement) : installe l'agent de stockage hôte et les pilotes multivoies.
  - **Management** (Gestion) : installe le logiciel de gestion et les fournisseurs de matériel.
  - **Custom** (Personnalisée) : permet de sélectionner des composants spécifiques.

- 5 Sélectionnez le(s) modèle(s) de matrice de stockage MD que vous souhaitez définir comme stockage de données pour ce serveur hôte.
- 6 Choisissez de démarrer le service de moniteur des événements automatiquement lors du redémarrage du serveur hôte ou manuellement



**REMARQUE** : cette option ne s'applique qu'à l'installation du logiciel client Windows.

- 7 Confirmez l'emplacement de l'installation et cliquez sur **Install** (Installer).
- 8 À l'invitation (le cas échéant), redémarrez le serveur hôte, une fois l'installation terminée.
- 9 Lorsque le redémarrage est terminé, l'utilitaire MDCU peut se lancer automatiquement. S'il ne se lance pas automatiquement, lancez-le manuellement.
  - Dans un système d'exploitation Windows, cliquez sur **Démarrer** → **Dell** → **Modular Disk Configuration Utility** (Utilitaire de configuration de disques modulaires).
  - Dans un système d'exploitation Linux, double-cliquez sur l'icône **Modular Disk Configuration Utility** (Utilitaire de configuration de disques modulaires) sur le bureau.



**REMARQUE** : si l'utilitaire MDCU n'est pas installé, voir le *Guide de déploiement* à l'adresse [support.dell.com/manuals](http://support.dell.com/manuals).

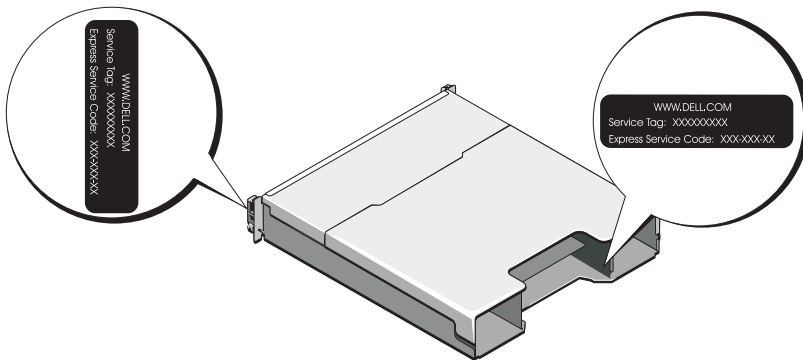
- 10 Démarrez **MD Storage Manager** et lancez la détection des matrices.
- 11 Le cas échéant, activez les fonctions premium achetées avec votre matrice de stockage. Si vous avez acheté des fonctions premium, consultez la carte d'activation livrée avec votre matrice de stockage.



**REMARQUE** : l'installateur **MD Storage Manager** installe automatiquement les pilotes, micrologiciel, et correctifs de système d'exploitation nécessaires pour le fonctionnement de votre matrice de stockage. Ces pilotes et micrologiciels sont également disponibles à l'adresse [support.dell.com](http://support.dell.com). Consultez également la *Matrice de support* à l'adresse [support.dell.com/manuals](http://support.dell.com/manuals) pour trouver des paramètres et/ou logiciels supplémentaires requis pour votre matrice de stockage spécifique.

## Identification du numéro de service

Votre système est identifié par un code de service express et un numéro de service uniques. Le code de service express et le numéro de service se trouvent sur le devant et l'arrière du système à côté des modules de contrôleur RAID. Dell utilise ces informations pour acheminer les appels de support au technicien qui convient.



## Informations NOM (Mexique uniquement)

Les informations suivantes sur l'appareil décrit dans ce document sont fournies conformément aux exigences de la Norme Officielle Mexicaine (NOM) :

Importateur :	Dell Inc. de México, S.A. de C.V. Paseo de la Reforma 2620 -11º Piso Col. Lomas Altas 11950 México, D.F.
Numéro de modèle :	E03J et E04J
Tension d'alimentation :	100 à 240 V CA
Fréquence :	50/60 Hz
Consommation électrique :	8,6 A



# Caractéristiques techniques

---

## Lecteurs

---

PowerVault MD3600i	Jusqu'à 12 disques durs SAS remplaçables à chaud 3,5 pouces (3,0 Gb/s et 6,0 Gb/s)
PowerVault MD3620i	Jusqu'à 24 disques durs SAS remplaçables à chaud 2,5 pouces (3,0 Gb/s et 6,0 Gb/s)

---

## Modules de contrôleur RAID

---

Les modules de contrôleur RAID	<ul style="list-style-type: none"><li>• Un ou deux modules remplaçables à chaud avec capteurs de température.</li><li>• 2 Go de mémoire cache par contrôleur</li></ul>
--------------------------------	--

---

## Connecteurs du panneau arrière (par module de contrôleur RAID)

---

Connecteurs iSCSI	Deux connecteurs d'entrée iSCSI de 1 Go pour connecter les hôtes
Connecteur d'extension SAS	Un port de sortie SAS pour l'extension à un boîtier PowerVault série MD1200 supplémentaire. <b>REMARQUE</b> : les connecteurs SAS sont conformes SFF-8088.
Connecteur série	Un connecteur mini-DIN à 6 broches <b>REMARQUE</b> : cette option est réservée au personnel de maintenance.

---

## Connecteurs du panneau arrière (par module de contrôleur RAID) *(suite)*

---

Connecteur Ethernet de gestion	<p>Un port Ethernet 100/1000 Base-T pour une gestion hors bande du boîtier</p> <p><b>REMARQUE :</b> les adresses IP de port de gestion par défaut pour les modules de contrôleur RAID primaire et secondaire sont respectivement 192.168.128.101 et 192.168.128.102. Par défaut, les ports de gestion sont définis sur le protocole DHCP (Dynamic Host Configuration). Si le contrôleur ne parvient pas à obtenir une configuration d'adresse IP d'un serveur DHCP dans une période de temps spécifiée (environ 3 minutes), il utilise l'adressage IP statique par défaut. Pour plus d'informations, voir le <i>Guide de déploiement</i>.</p>
--------------------------------	---

---

## Extension

---

PowerVault Série MD1200	<p>Prend en charge jusqu'à 192 disques durs avec n'importe quelle combinaison de boîtiers d'extension PowerVault MD1200 ou PowerVault MD1220. La prise en charge de 192 disques durs est une fonction premium et doit être activée. Le nombre maximum de disques durs pris en charge lorsque la fonction premium n'est pas utilisée est 120.</p> <p>La connectivité à chemin redondant fournit des chemins de données redondants à chaque disque dur.</p>
-------------------------	---

---

## Carte de fond de panier

---

Connecteurs	<ul style="list-style-type: none"><li>• 12 ou 24 connecteurs de disque dur SAS</li><li>• Deux connecteurs pour les modules de ventilation/alimentation</li><li>• Deux ensembles de connecteurs de module de contrôleur RAID</li><li>• Un connecteur de panneau de commande pour les voyants frontaux et le commutateur de mode boîtier</li></ul>
Capteurs	Deux capteurs de température

---

## Voyants

---

Panneau avant

- Un voyant bichrome indiquant l'état du système
- Deux voyants monochromes (alimentation et mode boîtier)

**REMARQUE :** le voyant du mode boîtier ne s'applique pas à la matrice de stockage PowerVault série MD3600i.

Support de disque dur

- Un voyant d'activité monochrome
- Un voyant d'état bichrome par lecteur

Bloc d'alimentation/ventilateur de refroidissement

Trois voyants d'état (état du bloc d'alimentation, panne du bloc d'alimentation/Ventilateur et état de l'alimentation)

Module de contrôleur RAID

Huit voyants monochromes :

- Un voyant de panne de batterie
- Un voyant d'activité de la mémoire cache
- Un voyant de panne du contrôleur
- Un voyant d'état de l'alimentation de contrôleur
- Un voyant système
- Un voyant d'activité de gestion Ethernet
- Deux voyants d'activité de port d'entrée iSCSI

Quatre voyants bichromes :

- Deux voyants de vitesse de lien d'entrée iSCSI
- Un voyant de panne ou de lien de sortie SAS
- Un voyant de vitesse de lien Ethernet de gestion

---

**Commutateur**

---

Bouton d'identification du système	Situé sur le panneau de commande avant. Ce bouton sert à localiser un système au sein d'un rack.
Sélecteur de mode du boîtier	Situé sur le devant du système. Ce sélecteur ne s'applique pas à la matrice de stockage PowerVault MD3600i.
Sélecteur de réinitialisation du mot de passe	Situé sur le panneau arrière du module de contrôleur RAID. Ce sélecteur permet de réinitialiser le mot de passe de la matrice de stockage.

---

**Blocs d'alimentation**

---

**Alimentation secteur (par bloc d'alimentation)**

Puissance	600 W
Tension	100–240 VCA (8,6 A–4,3 A)
Dissipation thermique	100 W
Courant d'appel maximal	Dans des conditions de ligne typiques et dans toute la gamme ambiante de fonctionnement du système, l'appel de courant peut atteindre 55 A par bloc d'alimentation pendant un maximum de 10 ms.

---

**Alimentation disponible pour les disques durs (par logement)**

---

PowerVault MD3600i	25 W
PowerVault MD3620i	12 W

---

**Alimentation du module de contrôleur RAID (par emplacement)**

---

Consommation de courant maximale	100 W
----------------------------------	-------

---

## Caractéristiques physiques

---

### PowerVault MD3600i

Hauteur	8,68 cm (3,41 pouces)
Largeur	44,63 cm (17,57 pouces)
Profondeur	60,20 cm (23,70 pouces)
Poids (configuration maximale)	29,30 kg (64,6 livres)
Poids (vide)	8,84 kg (19,5 livres)

### PowerVault MD3620i

Hauteur	8,68 cm (3,41 pouces)
Largeur	44,63 cm (17,57 pouces)
Profondeur	54,90 cm (21,61 pouces)
Poids (configuration maximale)	24,2 kg (53,4 livres)
Poids (vide)	8,61 kg (19 livres)

---

## Environnement

---

**REMARQUE :** pour des informations supplémentaires sur les mesures environnementales liées aux différentes configurations du système, voir [www.dell.com/environmental\\_datasheets](http://www.dell.com/environmental_datasheets).

### Température

En fonctionnement De 10 à 35 °C (50 à 95 °F) avec un gradient thermique maximal de 10 °C par heure

**REMARQUE :** à des altitudes supérieures à 900 mètres (2 950 pieds), la température maximale de fonctionnement est réduite de 0,55 °C (1 °F) tous les 168 mètres (550 pieds).

Entreposage De -40 à 65 °C (-40 à 149 °F) avec un gradient thermique maximal de 20 °C par heure

### Humidité relative

En fonctionnement De 20 à 80 % (sans condensation) avec un gradient d'humidité maximal de 10 % par heure

Entreposage De 5 à 95 % (sans condensation)

---

**Environnement (suite)**

---

## Tolérance maximale aux vibrations

En fonctionnement	0,25 G avec un balayage de 3 à 200 Hz pendant 15 minutes
Entreposage	0,5 G avec un balayage de 3 à 200 Hz pendant 15 minutes

## Choc maximal

En fonctionnement	Une impulsion de choc de 31 G pendant un maximum de 2,6 ms sur l'axe z positif (une impulsion de chaque côté du système)
Entreposage	Six chocs consécutifs de 71 G pendant un maximum de 2 ms en positif et négatif sur les axes x, y et z (une impulsion de chaque côté du système)

## Altitude

En fonctionnement	De -16 à 3 048 m (-50 à 10 000 pieds) <b>REMARQUE :</b> à des altitudes supérieures à 900 mètres (2 950 pieds), la température maximale de fonctionnement est réduite de 0,55 °C (1 °F) tous les 168 mètres (550 pieds).
-------------------	---

Entreposage	De -16 à 10 600 m (-50 à 35 000 pieds)
-------------	--

## Contaminants en suspension dans l'air

Classe	G1 selon la norme ISA-S71.04-1985
--------	-----------------------------------

Matrizes de armazenamento  
Dell PowerVault MD3600i  
e MD3620i

Introdução ao uso do  
sistema



# Notas, Avisos e Advertências



**NOTA:** uma NOTA fornece informações importantes para ajudar você a usar melhor os recursos do computador.



**AVISO:** um AVISO indica um potencial de danos ao hardware ou a perda de dados se as instruções não forem seguidas.



**ADVERTÊNCIA:** uma ADVERTÊNCIA indica um potencial de danos à propriedade, risco de lesões corporais ou mesmo risco de vida.

---

As informações contidas nesta publicação estão sujeitas a alterações sem aviso prévio.

© 2011 Dell Inc. Todos os direitos reservados.

Qualquer forma de reprodução deste material sem a permissão por escrito da Dell Inc. é expressamente proibida.

Marcas comerciais usadas neste texto: Dell™, o logotipo DELL e PowerVault™ são marcas comerciais da Dell Inc. Microsoft® e Windows Server® são marcas comerciais ou marcas registradas da Microsoft Corporation nos Estados Unidos e/ou em outros países Red Hat® e Red Hat Enterprise Linux® são marcas registradas da Red Hat, Inc. nos Estados Unidos e em outros países. SUSE® é marca registrada da Novell, Inc. nos Estados Unidos e em outros países. VMware® é marca registrada da VMware, Inc. nos Estados Unidos e/ou outras jurisdições.

Outras marcas e nomes comerciais podem ser usados nesta publicação como referência às entidades que reivindicam essas marcas e nomes ou a seus produtos. A Dell Inc. renuncia ao direito de qualquer participação em nomes e marcas comerciais que não sejam de sua propriedade.

Modelo de normalização séries E03J e E04J

2011 - 08

N/P 407CV

Rev. A02



## Antes de começar



**NOTA:** Neste documento, a matriz de armazenamento Dell PowerVault série MD3600i se refere tanto à matriz Dell PowerVault MD3600i quanto à matriz Dell PowerVault MD3620i. O gabinete de expansão Dell PowerVault série MD1200 se refere tanto ao Dell PowerVault MD1200 quanto ao Dell PowerVault MD122.

Antes de configurar a matriz de armazenamento Dell PowerVault série MD3600i, você precisa considerar certas práticas recomendadas que garantem que a sua matriz de armazenamento funcione com a máxima eficiência e ofereça redundância total (se necessário).

- A matriz de armazenamento PowerVault série MD3600i é um produto 10GBase-T que exige uma infraestrutura com capacidade para 10GBase-T, que consiste em cabos Categoria 6 ou mais avançada, e comutadores e patch panels com capacidade para 10GBase-T.
- As infraestruturas 1GBase-T existentes podem ser usadas através de um comutador 10GBase-T que interconecta a rede 10GBase-T, ou através da configuração manual de portas iSCSI para funcionarem a velocidades de 1GBase-T. Você pode também usar o utilitário MDCU (Modular Disk Configuration Utility) para configurar as velocidades de portas. Para obter mais informações sobre o MDCU, consulte “Instalar o software de armazenamento MD” na página 58.



**NOTA:** A auto-negociação não é suportada e a velocidade de operação precisa ser configurada manualmente.

- Use sempre cabos de rede Ethernet Categoria 6 (ou melhor) na rede toda.
- É recomendável que você use uma SAN de IP dedicado para a transmissão de dados iSCSI. O gerenciamento de tráfego pode ser isolado em uma rede de gerenciamento separada.
- Preencha a planilha de configuração iSCSI antes de configurar o iSCSI. Consulte “Preencher a planilha iSCSI” na página 49. Esta planilha reúne informações da rede física em uma única fonte.
- Depois de preencher a planilha iSCSI, faça um desenho da configuração antes de configurar a solução.
- Configure sempre caminhos redundantes de dados iSCSI para fornecer caminhos alternativos de e para o servidor host, na eventualidade de um destes caminhos se tornar indisponível.

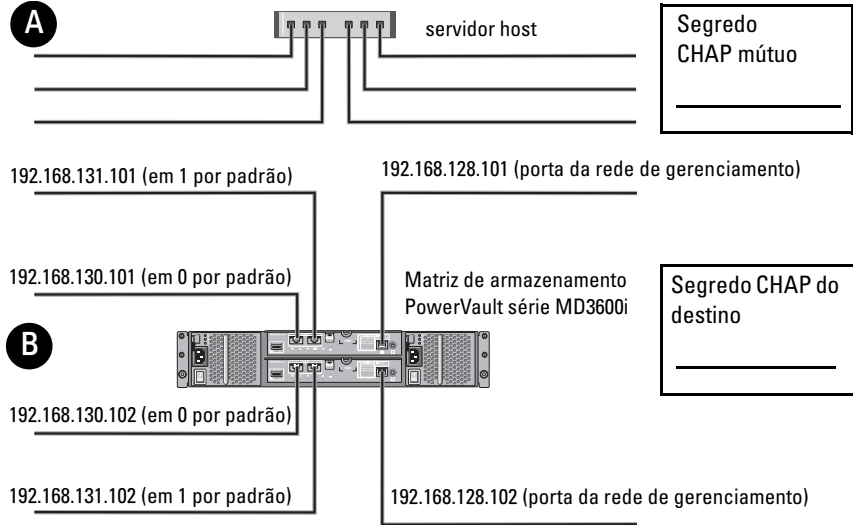
- Se houver múltiplas placas de rede instaladas em um host, recomenda-se que você use diferentes sub-redes para gerenciamento e para links de dados iSCSI.
- Antes de conectar quaisquer cabos entre o servidor host e a matriz de armazenamento, coloque uma etiqueta em cada porta e em cada conector.
- Siga sempre os procedimentos adequados para fazer o “power cycle” (desligar e religar em seguida) de dispositivos da rede. Você precisa garantir também que os componentes críticos da rede estejam em circuitos de alimentação separados.



**NOTA:** As ilustrações deste documento mostram o cabeamento de apenas uma matriz de armazenamento PowerVault série MD3600i em um ambiente SAN. As ilustrações mostram também apenas os endereços IP padrão da matriz de armazenamento PowerVault série MD3600i. Para fazer o cabeamento de mais de uma matriz de armazenamento PowerVault série MD3600i em um ambiente SAN, consulte o *guia de implementação*.

# Preencher a planilha iSCSI


## Configurações de IPv4




*Se você precisar de espaço adicional para mais de um servidor host, use uma folha adicional.*


**NOTA:** O CHAP (Challenge Handshake Authentication Protocol) é um método de autenticação iSCSI opcional no qual a matriz de armazenamento (destino) autentica os iniciadores iSCSI no servidor host. Para obter mais informações, consulte a seção “Understanding CHAP Authentication” (Entender a autenticação CHAP) no guia *Deployment Guide* (Guia de distribuição).

<b>A</b>	Endereço IP estático (servidor host)	Máscara de sub-rede	Gateway padrão
Porta iSCSI 0	____.____.____.____	____.____.____.____	____.____.____.____
Porta iSCSI 1	____.____.____.____	____.____.____.____	____.____.____.____
Porta de gerenciamento	____.____.____.____	____.____.____.____	____.____.____.____
<b>B</b>	Endereço IP estático (matriz de armazenamento)	Máscara de sub-rede	Gateway padrão
controlador iSCSI 0, em 0	____.____.____.____	____.____.____.____	____.____.____.____
controlador iSCSI 0, em 1	____.____.____.____	____.____.____.____	____.____.____.____
controlador da porta de gerenciamento 0	____.____.____.____	____.____.____.____	____.____.____.____
controlador iSCSI 1, em 0	____.____.____.____	____.____.____.____	____.____.____.____
controlador iSCSI 1, em 1	____.____.____.____	____.____.____.____	____.____.____.____
controlador da porta de gerenciamento 1	____.____.____.____	____.____.____.____	____.____.____.____


 **NOTA:** Para obter informações sobre a planilha de IPv6, consulte o *guia de implementação*.

## Outros documentos e mídias dos quais você pode precisar

 **ADVERTÊNCIA:** Consulte as informações de normalização e segurança fornecidas com o sistema. As informações de garantia podem estar neste documento ou podem ser fornecidas como um documento separado.

 **NOTA:** Todos os documentos da matriz de armazenamento PowerVault série MD3600i estão disponíveis em [support.dell.com/manuals](http://support.dell.com/manuals).

- A documentação fornecida com o rack contém o procedimento de instalação do sistema no rack.
- O *Manual do proprietário* fornece informações sobre os recursos do sistema e descreve como solucionar problemas do sistema e como instalar ou trocar componentes.
- O *Guia de implementação* fornece informações sobre a instalação e a configuração do software e do hardware.
- O *Guia da Interface de Linha de Comando (CLI)* fornece informações sobre o uso da interface de linha de comando para configurar e gerenciar a matriz de armazenamento.
- O *Guia SMI-S Provider Installation Guide* (guia de instalação do provedor SMI-S) fornece informações sobre a instalação do provedor SMI-S.
- As mídias fornecidas com o sistema que contêm documentação e ferramentas para a configuração e o gerenciamento do sistema, incluindo aquelas relacionadas ao sistema operacional, ao software de gerenciamento do sistema, a atualizações do sistema e a componentes adquiridos com o sistema.

 **NOTA:** Verifique sempre se há atualizações disponíveis no site [support.dell.com/manuals](http://support.dell.com/manuals) (em inglês) e leia primeiro as atualizações, pois estas geralmente substituem informações contidas em outros documentos.

# Preparar o servidor host

## Sistemas operacionais suportados

- Microsoft Windows Server
- Red Hat Enterprise Linux
- SUSE Linux Enterprise Server
- VMware



**NOTA:** Para obter as informações mais recentes sobre todas as versões de sistemas operacionais suportadas, consulte *Support Matrix* (Matriz de suporte) no site [support.dell.com/manuals](http://support.dell.com/manuals).

## Placas de rede adicionais para iSCSI

Quando for instalar placas de rede adicionais, é recomendável que:

- Você use redes de armazenamento redundante dedicadas para tráfego iSCSI. Se não for possível ter uma rede dedicada, isole o tráfego iSCSI do tráfego da rede geral usando redes locais virtuais (VLANs - virtual local area networks).
- Você use placas de rede adicionais dedicadas para o tráfego iSCSI.
- As placas de rede precisam ser adicionadas em pares para criar redundância.



**NOTA:** A configuração com uma única placa de rede é também suportada.

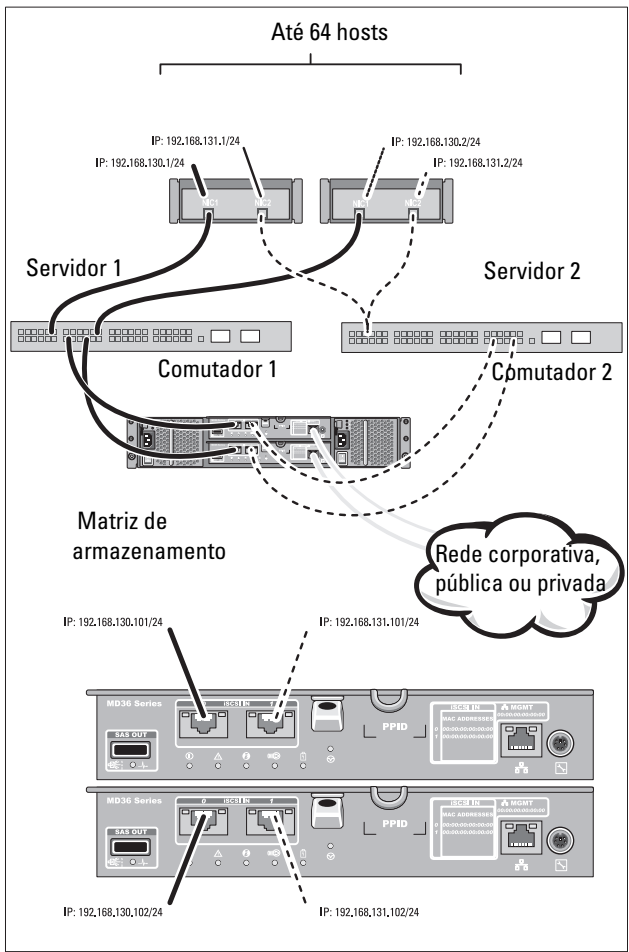
## Configuração da placa de rede

Em um ambiente de SAN, dependendo do número de comutadores, é recomendável que você use duas sub-redes exclusivas para o tráfego iSCSI. Em ambientes nos quais os dispositivos de armazenamento são diretamente conectados, cada placa de rede diretamente conectada à matriz PowerVault MD36xi precisa estar em uma sub-rede separada. Todos os endereços IP de host precisam ser configurados antes da instalação do software de gerenciamento MD.

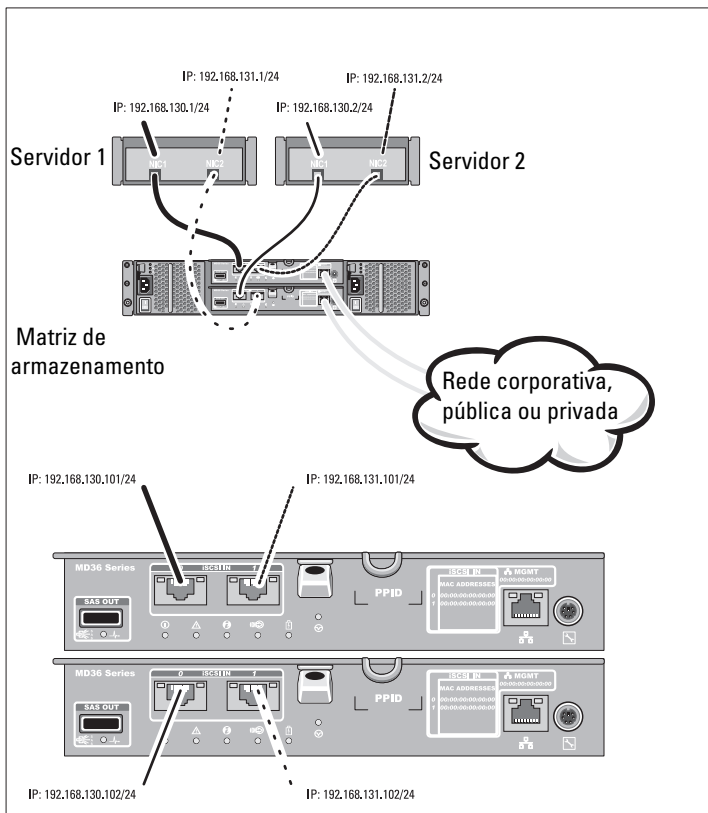
# Configurações comuns

## Cabeamento de hosts conectados à SAN


Conecte todos os cabos entre os servidores, comutadores e matrizes de armazenamento conforme mostra a ilustração. Para obter mais exemplos de cabeamento de matrizes de armazenamento, consulte o *Deployment Guide* (Guia de implementação) em [support.dell.com/manuals](http://support.dell.com/manuals).



## Cabeamento de hosts conectados diretamente



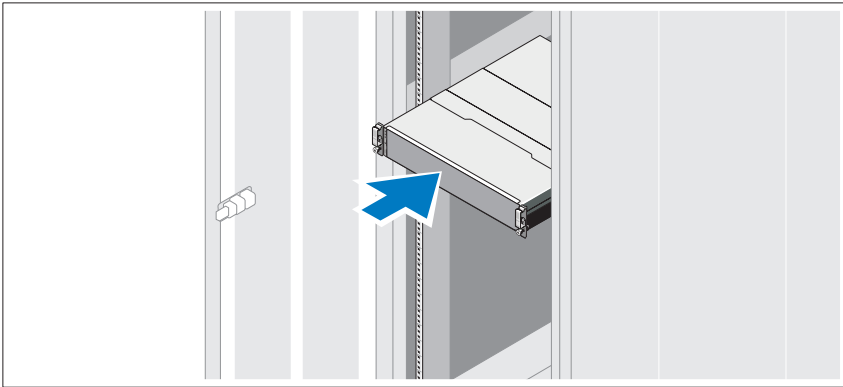
# Instalação e configuração

 **ADVERTÊNCIA:** Antes de executar o procedimento abaixo, siga as instruções de segurança fornecidas com o sistema.


## Remover o sistema da embalagem

Desembale o sistema e identifique cada item de acordo com a lista fornecida.

## Instalar os trilhos e o sistema no rack

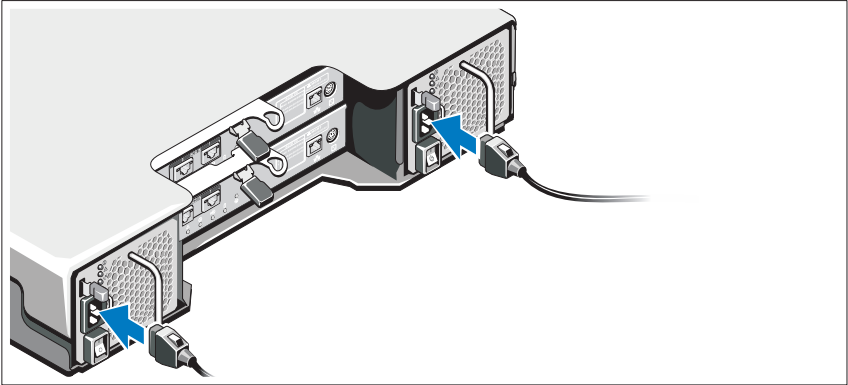


Monte os trilhos e instale o sistema no rack, seguindo as instruções de segurança e as instruções de instalação fornecidas com o sistema.

 **NOTA:** Para contrabalançar o peso, é recomendável que você instale as matrizes de armazenamento PowerVault série MD3600i na parte inferior do rack e os gabinetes de expansão PowerVault série MD1200 acima delas.

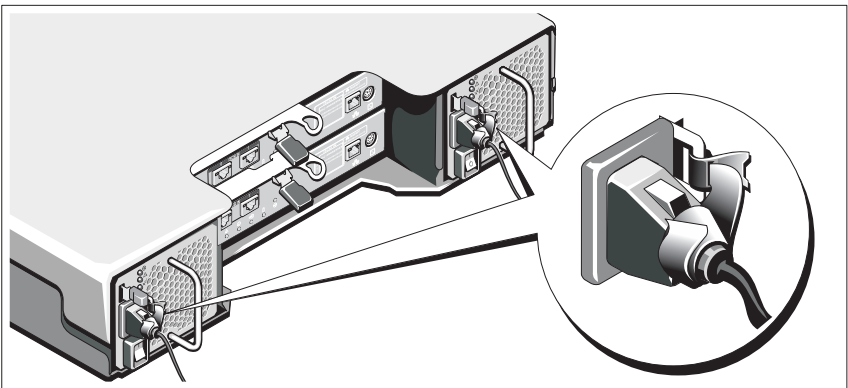


## Conectar o(s) cabo(s) de alimentação



Verifique se a chave está na posição “desligada” (OFF), antes de conectar os cabos de alimentação. Conecte o(s) cabos de alimentação ao sistema.

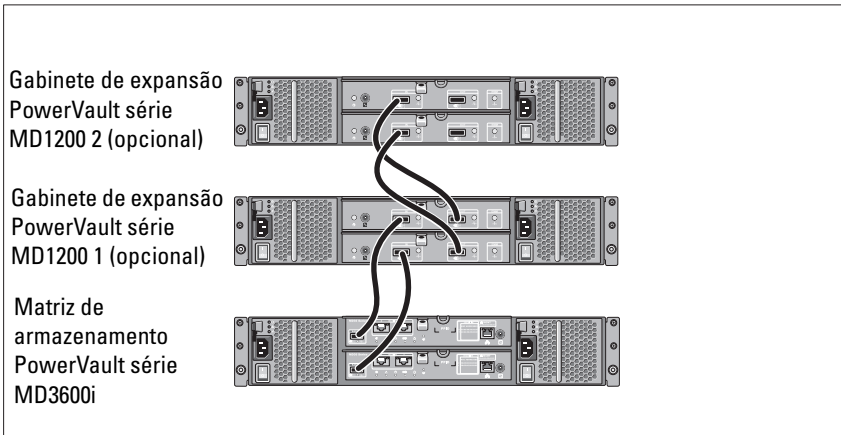
## Prender o(s) cabo(s) de alimentação



Prenda firmemente os cabos ao gancho usando a tira fornecida.

Conecte a outra extremidade do(s) cabo(s) de alimentação a uma tomada elétrica aterrada ou a uma fonte de energia separada, por exemplo uma UPS (Uninterruptible Power Supply - Fonte de alimentação ininterrupta) ou a uma PDU (Power Distribution Unit - Unidade de distribuição de energia). Cada fonte de alimentação precisa ser conectada a um circuito de alimentação separado.

## Cabeamento do gabinete de expansão



## Ligar o gabinete

Ligue os componentes na seguinte ordem:

- 1 Comutadores Ethernet (se forem usados)
- 2 Gabinetes de expansão PowerVault série MD1200 (se estiverem sendo usados)

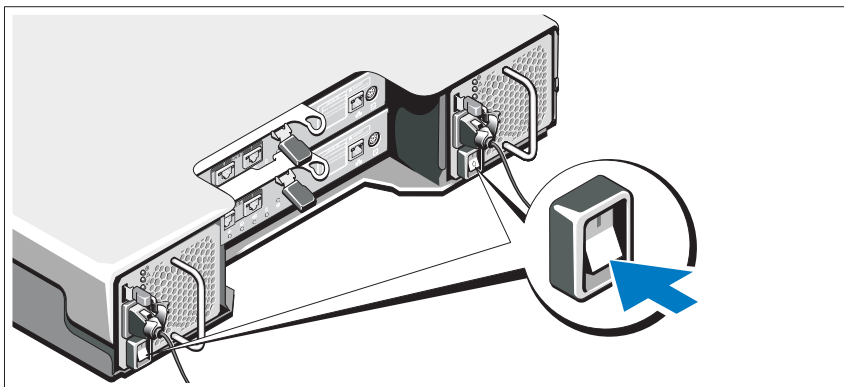


**NOTA:** Antes de ligar a matriz de armazenamento, verifique se o LED de status do gabinete de expansão localizado na parte frontal do gabinete está azul.

- 3 Matriz de armazenamento PowerVault série MD3600i

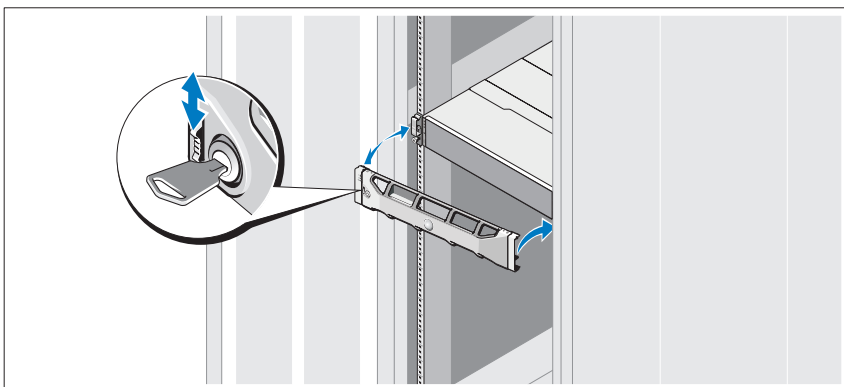


**NOTA:** Antes de ligar o(s) servidor(es) host, verifique se o LED de status da matriz de armazenamento localizado na parte frontal da matriz está azul.




#### 4 Servidor(es) host

### Instalar o bezel



Instale o bezel (opcional).


## Instalar o software de armazenamento MD

 **NOTA:** Para obter instruções detalhadas sobre a instalação do software de armazenamento de discos modulares, a configuração do gabinete e as tarefas de pós-instalação, consulte o *guia de implementação*.

O software MD Storage Manager (gerenciamento de armazenamento em discos modulares) configura, gerencia e monitora a matriz de armazenamento. O utilitário de configuração de MD (MDCU - MD Configuration Utility) é um utilitário opcional que faz abordagem consolidada para a configuração de portas de gerenciamento, portas de host iSCSI e para a criação de sessões das matrizes modulares de armazenamento em disco iSCSI. É recomendável que você use o MDCU para configurar o iSCSI em cada servidor host conectado à matriz de armazenamento. Para instalar o software de armazenamento MD:

- 1 Insira a mídia de recursos da série MD.

Dependendo do seu sistema operacional, o instalador pode ser aberto automaticamente. Se o instalador não abrir automaticamente, vá até o diretório raiz da mídia de instalação (ou da imagem baixada do instalador) e execute o arquivo **md\_launcher.exe**. Nos sistemas Linux, navegue até a raiz da mídia de recursos e execute o arquivo **autorun**.

 **NOTA:** Por padrão, o sistema operacional Red Hat Enterprise Linux monta a mídia de recursos com a opção **–noexec mount**, a qual não permite rodar arquivos executáveis. Para mudar esta configuração, consulte o arquivo **Readme** que está no diretório raiz da mídia de instalação.

- 2 Selecione **Install MD Storage Software** (Instalar o software de armazenamento em discos modulares).
- 3 Leia e aceite o contrato de licença.
- 4 Selecione uma das seguintes opções de instalação no menu suspenso **Install Set** (Conjunto de instalação):
  - **Full (recommended)** — (Completa (recomendável)) - Instala o software cliente do Gerenciador de armazenamento MD (MD Storage Manager (client)), o agente de armazenamento baseado no host, o driver de multi-caminho e os provedores de hardware.
  - **Host Only** — (Apenas host) - Instala o agente de armazenamento baseado em host e os drivers de multi-caminhos.
  - **Management** — (Gerenciamento) - Instala o software de gerenciamento e os provedores de hardware.
  - **Custom** — (Personalizada) - Permite que você selecione componentes específicos.

- 5 Selecione o(s) modelo(s) de matriz de armazenamento MD que você está configurando como armazenamento de dados para este servidor host.
- 6 Indique se você quer começar a monitoração de eventos automaticamente quando o servidor é reinicializado ou manualmente.



**NOTA:** Esta opção só se aplica à instalação de software de cliente Windows.

- 7 Confirme o local de instalação e clique em **Install**.
- 8 Se for solicitado, reinicialize o servidor quando a instalação terminar.
- 9 Quando a reinicialização terminar, o MDCU será aberto automaticamente. Se o MDCU não for aberto automaticamente, abra-o manualmente.
  - Em sistemas operacionais baseados no Windows, clique em **Iniciar** → **Dell** → **Modular Disk Configuration Utility**.
  - Em sistemas operacionais baseados no Linux, clique duas vezes no ícone do **Modular Disk Configuration Utility** (utilitário de configuração de discos modulares) na área de trabalho.



**NOTA:** Se o MDCU não for instalado, consulte o *Deployment Guide* (guia de implementação) em [support.dell.com/manuals](http://support.dell.com/manuals).

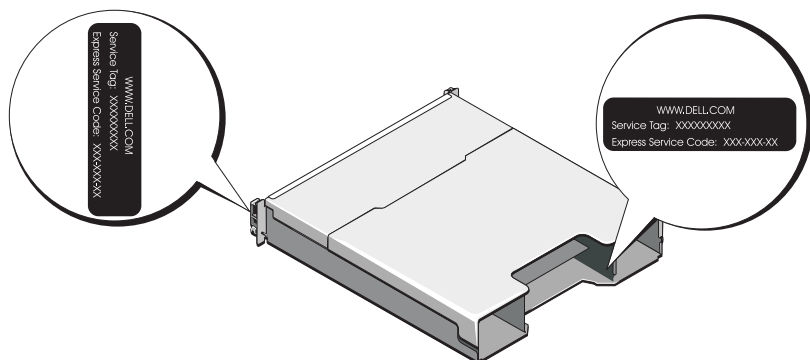
- 10 Abra o aplicativo **MD Storage Manager** (gerenciador de armazenamento MD) e faça a descoberta da(s) matriz(es).
- 11 Se for o caso, ative todos os recursos Premium comprados com a sua matriz de armazenamento. Se for o caso, consulte o cartão impresso de ativação que é fornecido com a sua matriz de armazenamento.



**NOTA:** O instalador do **MD Storage Manager** (gerenciador de armazenamento MD) instala automaticamente os drivers, o firmware e os patches do sistema operacional necessários para operar a matriz de armazenamento. Estes drivers e firmware estão também disponíveis em [support.dell.com](http://support.dell.com). Além disso, consulte *Support Matrix* (Matriz de suporte) em [support.dell.com/manuals](http://support.dell.com/manuals) para obter configurações e/ou software adicionais necessários para a sua matriz de armazenamento específica.

## Localizar a etiqueta de serviço

O seu sistema é identificado por um número exclusivo de código de serviço expresso e de etiqueta de serviço. O código de serviço expresso (Express Service Code) e a etiqueta de serviço (Service Tag) estão localizados na parte frontal e na parte traseira do sistema, próximos aos módulos do controlador de RAID. Estas informações são usadas pela Dell para dirigir as chamadas que são feitas ao serviço de suporte para o pessoal adequado.



## Informações da norma NOM (apenas para o México)

As informações a seguir são fornecidas sobre o dispositivo descrito neste documento em conformidade com os requisitos das normas oficiais mexicanas (NOM):

Importador:	Dell Inc. de México, S.A. de C.V. Paseo de la Reforma 2620 -11º Piso Col. Lomas Altas 11950 México, D.F.
Número do modelo:	E03J e E04J
Tensão de alimentação:	100 a 240 VCA
Frequência:	50/60 Hz
Consumo de corrente:	8,6 A

# Especificações técnicas

---

## Unidades

---

PowerVault MD3600i	Até 12 discos rígidos SAS de 3,5 polegadas (3,0 Gbps e 6,0 Gbps) com troca a quente (“hot swappable”)
PowerVault MD3620i	Até 24 discos rígidos SAS de 2,5 polegadas (3,0 Gbps e 6,0 Gbps) com troca a quente (“hot swappable”)

---

## Módulos controladores de RAID

---

Módulos controladores de RAID	<ul style="list-style-type: none"><li>• Um ou dois módulos de troca a quente (“hot swappable”) com sensores de temperatura</li><li>• 2 GB de cache por controlador</li></ul>
-------------------------------	--

---

## Conectores do painel traseiro (por módulo controlador de RAID)

---

Conectores iSCSI	Dois conectores de entrada iSCSI de 10 GB para a conexão de hosts
Conector de expansão SAS	Uma porta de saída SAS (SAS OUT) para expansão com um gabinete PowerVault série MD1200 adicional. <b>NOTA:</b> Os conectores SAS são compatíveis com SFF-8088.
Conector serial	Um conector mini-DIN de 6 pinos <b>NOTA:</b> Para uso exclusivo pelo suporte técnico.
Conector Ethernet de gerenciamento	Uma porta Ethernet 100/1000 Base-T para gerenciamento fora da banda do gabinete <b>NOTA:</b> Os endereços IP padrão das portas de gerenciamento dos módulos controladores de RAID primário e secundário são 192.168.128.101 e 192.168.128.102, respectivamente. Por padrão, as portas de gerenciamento são configuradas para DHCP (Dynamic Host Configuration Protocol). Se o controlador não conseguir obter um endereço IP a partir de um servidor DHCP dentro de um tempo especificado (cerca de 3 minutos), ele volta a usar o padrão, isto é, endereçamento IP estático. Para obter mais informações, consulte o <i>guia de implementação</i> .

---

## Expansão

---

PowerVault série MD1200

Suporta um máximo de 192 discos rígidos com qualquer combinação de gabinetes de expansão PowerVault MD1200 ou PowerVault MD1220. O suporte para 192 discos rígidos é um recurso Premium e precisa ser ativado. O número máximo de discos rígidos suportados sem o uso do recurso Premium é 120.

A conectividade de caminho redundante fornece caminhos redundantes de dados para cada disco rígido.

---

## Placa backplane

---

Conectores

- 12 ou 24 conectores para discos rígidos SAS
- Dois conectores para módulos de fonte de alimentação ou ventiladores de resfriamento
- Dois conjuntos de conectores para módulo de controlador de RAID
- Um conector no painel de controle para os LEDs frontais e para a chave de modo do gabinete

Sensores

Dois sensores de temperatura

---

## LEDs indicadores

---

Painel frontal

- Um LED de duas cores para indicação do status do sistema
- Dois LEDs de cor única para indicação de alimentação e de modo do gabinete.

**NOTA:** O LED de modo do gabinete não é aplicável à matriz de armazenamento PowerVault série MD3600i .

Apoio do disco rígido

- Um LED de cor única para atividade.
- Um LED de duas cores para indicação de status, por unidade.

Fonte de alimentação ou ventilador de resfriamento

Três LEDs para indicar o status da fonte de alimentação, o status de falha da fonte alimentação ou do ventilador e o status da alimentação CA



---

**LEDs indicadores (continuação)**

---

Módulo controlador de RAID	<p>Oito LEDs de cor única:</p> <ul style="list-style-type: none"><li>• Um para falha da bateria</li><li>• Um para atividade de cache</li><li>• Um para falha do controlador</li><li>• Um para alimentação do controlador</li><li>• Um para identificação do sistema</li><li>• Um para atividade da Ethernet de gerenciamento</li><li>• Dois para atividade das portas de entrada iSCSI</li></ul> <p>Quatro LEDs de duas cores:</p> <ul style="list-style-type: none"><li>• Dois para velocidade do link de entrada iSCSI</li><li>• Um para falha ou link de saída SAS</li><li>• Um para velocidade do link Ethernet de gerenciamento</li></ul>
----------------------------	--

---

**Chave**

---

Botão de identificação do sistema	Localizado no painel de controle frontal. Este botão é usado para localizar um sistema dentro de um rack.
Chave de modo do gabinete	Localizada na parte frontal do sistema. Esta chave não é aplicável à matriz de armazenamento PowerVault série MD3600i.
Chave de redefinição da senha	Localizada no painel traseiro do módulo controlador de RAID. Esta chave é usada para redefinir a senha da matriz de armazenamento.

---

**Fontes de alimentação**

---

Fonte de alimentação CA (por fonte de alimentação)	
Potência	600 W
Tensão	100 a 240 VAC (8,6 A a 4,3 A)
Dissipação de calor	100 W
Pico de corrente inicial máximo	Sob condições de linha típicas e na faixa inteira de temperatura ambiente de funcionamento do sistema, o pico de corrente inicial (“inrush”) pode atingir um máximo de 55 A por fonte de alimentação por 10 ms ou menos.

---

**Potência disponível para discos rígidos (por slot)**

---

PowerVault MD3600i	25 W
PowerVault MD3620i	12 W

---

**Potência do módulo controlador de RAID (por slot)**

---

Consumo máximo de potência	100 W
----------------------------	-------

---

**Características físicas**

---

## PowerVault MD3600i

Altura	8,68 cm
Largura	44,63 cm
Profundidade	60,20 cm
Peso (com a configuração máxima)	29,30 kg
Peso (em vazio)	8,84 kg

## PowerVault MD3620i

Altura	8,68 cm
Largura	44,63 cm
Profundidade	54,90 cm
Peso (com a configuração máxima)	24,2 kg
Peso (em vazio)	8,61 kg

---

**Requisitos ambientais**

---

**NOTA:** Para obter informações adicionais sobre os requisitos ambientais para configurações específicas do sistema, visite o site [www.dell.com/environmental\\_datasheets](http://www.dell.com/environmental_datasheets) (em inglês).

## Temperatura

De operação	10°C a 35°C com variação máxima de 10°C por hora
-------------	--

**NOTA:** Para altitudes acima de 900 metros, a temperatura máxima de operação diminui à razão de 1°C / 300 metros

---

**Requisitos ambientais (continuação)**

---

De armazenamento	-40°C a 65°C com variação máxima de temperatura de 20°C por hora
Umidade relativa	
De operação	20% a 80% (sem condensação) com variação de umidade máxima de 10% por hora
De armazenamento	5% a 95% (sem condensação)
Vibração máxima	
De operação	0,25 g em 3 a 200 Hz por 15 minutos
De armazenamento	0,5 g em 3 a 200 Hz por 15 minutos
Choque máximo	
De operação	Um pulso de choque no eixo z positivo (um pulso em cada lado do sistema) de 31 g por 2,6 ms na orientação operacional
De armazenamento	Seis pulsos de choque aplicados consecutivamente nos eixos x, y e z positivos e negativos (um pulso de cada lado do sistema) de 71 g por até 2 ms
Altitude	
De operação	-16 m a 3.048 m <b>NOTA:</b> Para altitudes acima de 900 m, a temperatura máxima de operação diminui à razão de 1° C / 300 m
De armazenamento	-16 m a 10.600 m
Nível de poluentes transportados pelo ar	
Classe	G1 conforme definido pela norma ISA-S71.04-1985



# Matrices de almacenamiento Dell PowerVault MD3600i y MD3620i

## Introducción al sistema

Modelo reglamentario, series E03J y E04J



# Notas, precauciones y avisos



**NOTA:** una NOTA proporciona información importante que le ayudará a utilizar mejor el equipo.



**PRECAUCIÓN:** un mensaje de PRECAUCIÓN indica la posibilidad de que se produzcan daños en el hardware o haya pérdida de datos si no se siguen las instrucciones.



**AVISO:** un mensaje de AVISO indica el riesgo de daños materiales, lesiones o incluso la muerte.

---

**La información contenida en esta publicación puede modificarse sin previo aviso.**

**© 2011 Dell Inc. Todos los derechos reservados.**

Queda estrictamente prohibida la reproducción de estos materiales en cualquier forma sin la autorización por escrito de Dell Inc.

Marcas comerciales utilizadas en este texto: Dell™, el logotipo de DELL y PowerVault™ son marcas comerciales de Dell Inc. Microsoft® y Windows Server® son marcas comerciales o marcas comerciales registradas de Microsoft Corporation en los Estados Unidos y/o en otros países Red Hat® y Red Hat Enterprise Linux® son marcas comerciales registradas de Red Hat, Inc. en los Estados Unidos y en otros países. SUSE® es una marca comercial registrada de Novell, Inc. en los Estados Unidos y en otros países. VMware® es una marca comercial registrada de VMware, Inc. en los Estados Unidos y/o en otras jurisdicciones.

Otras marcas y otros nombres comerciales pueden utilizarse en esta publicación para hacer referencia a las entidades que los poseen o a sus productos. Dell Inc. renuncia a cualquier interés sobre la propiedad de marcas y nombres comerciales que no sean los suyos.

**Modelo reglamentario, series E03J y E04J**

**08/2011    N/P 407CV    Rev. A02**

## Antes de comenzar



**NOTA:** a lo largo del documento, la matriz de almacenamiento de la serie MD3600i de Dell PowerVault hace referencia a Dell PowerVault MD3600i y Dell PowerVault MD3620i. El gabinete de expansión de Dell PowerVault serie MD1200 se refiere a Dell PowerVault MD1200 y Dell PowerVault MD1220.

Antes de configurar la matriz de almacenamiento Dell PowerVault MD3600i, debe tener en cuenta una serie de prácticas recomendadas para garantizar que la matriz de almacenamiento funcione a un rendimiento máximo y ofrezca redundancia total (si es necesario).

- La matriz de almacenamiento serie PowerVault MD3600i es un producto 10GBase-T que necesita una estructura compatible con 10GBase-T que consiste en cables de categoría 6 o superior, paneles de interconexión compatibles con 10GBase-T y conmutadores.
- Las infraestructuras 1GBase-T actuales se pueden utilizar a través de un conmutador 10GBase-T que interconecta la red 10GBase-T, o al configurar los puertos iSCSI manualmente para que se ejecuten a velocidades 1GBase-T. También puede utilizar Modular Disk Configuration Utility (MDCU) para configurar las velocidades del puerto. Para obtener más información acerca de MDCU, ver “Instalación del software MD Storage” en la página 80.



**NOTA:** la negociación automática no es compatible y la velocidad de operación debe configurarse manualmente.

- Utilice en toda la red un cable Ethernet de categoría 6 (o superior).
- Se recomienda utilizar una IP SAN dedicada para la transmisión de datos iSCSI. El tráfico de administración se puede aislar en una red de administración independiente.
- Complete la hoja de trabajo de configuración de iSCSI antes de configurarla. Ver “Cómo completar la hoja de trabajo de iSCSI” en la página 71. Esta hoja de trabajo reúne la información de la red física de forma centralizada.
- Una vez que haya completado la hoja de trabajo de iSCSI, dibuje la configuración antes de montar la solución.
- Configure siempre rutas de datos iSCSI redundantes para disponer de rutas alternativas al servidor host en caso de que se desactive una de las rutas de datos.

- Si se instalan varias NICs en un host, es recomendable utilizar subredes diferentes para la administración y los enlaces de datos iSCSI.
- Antes de conectar cables entre el servidor host y la matriz de almacenamiento, etiquete todos los puertos y conectores.
- Durante los ciclos de encendido de la red, siga siempre los procedimientos adecuados de encendido y apagado. Asegúrese también de que los componentes de red críticos se encuentren en circuitos de alimentación diferentes.

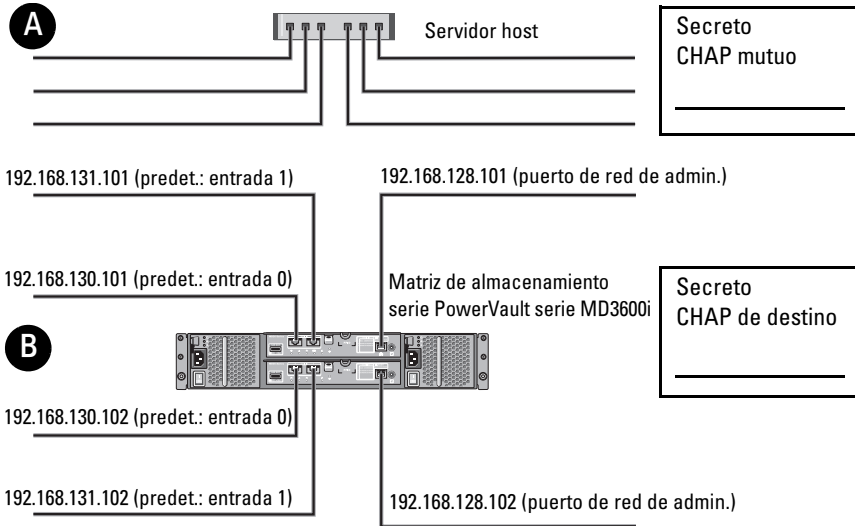


**NOTA:** en las ilustraciones de este documento se muestra el cableado de solamente una matriz de almacenamiento PowerVault MD3600i en un entorno SAN. Asimismo, las ilustraciones solo muestran las direcciones IP predeterminadas para la matriz de almacenamiento PowerVault MD3600i. Para cablear varias matrices de almacenamiento PowerVault MD3600i en un entorno SAN, consulte la *Guía de implementación*.



# Cómo completar la hoja de trabajo de iSCSI


## Configuración de IPv4




*Si necesita espacio adicional para más de un servidor host, utilice otra hoja.*


**NOTA:** el protocolo de autenticación por desafío mutuo (CHAP) es un método de autenticación iSCSI opcional mediante el cual la matriz de almacenamiento (destino) autentica los iniciadores iSCSI del servidor host. Para obtener más información, consulte la "Descripción de la autenticación CHAP" en la *Guía de implementación*.

<b>A</b> Dir. IP estática (servidor host)	Máscara de subred	Puerta de enlace predeterminada
Puerto 0 iSCSI	_____	_____
Puerto 1 iSCSI	_____	_____
Puerto de administración	_____	_____
<b>B</b> Dir. IP estática (matriz almacen.)	Máscara de subred	Puerta de enlace predeterminada
Contrl. iSCSI 0, Entrada 0	_____	_____
Contrl. iSCSI 0, Entrada 1	_____	_____
Puerto admin., contrl. 0	_____	_____
Contrl. iSCSI 1, Entrada 0	_____	_____
Contrl. iSCSI 1, Entrada 1	_____	_____
Puerto admin., contrl. 1	_____	_____


 **NOTA:** para obtener más información sobre la hoja de trabajo de IPv6, consulte la *Guía de implementación*.

## Documentación y soportes adicionales útiles

 **AVISO:** consulte la información sobre normativas y seguridad suministrada con el sistema. La información sobre la garantía puede estar incluida en este documento o en un documento aparte.

 **NOTA:** todos los documentos de la serie PowerVault MD3600i están disponibles en la dirección [support.dell.com/manuals](http://support.dell.com/manuals).

- En la documentación del bastidor incluida con la solución de bastidor se describe cómo instalar el sistema en un bastidor.
- En el *Manual del propietario* se proporciona información acerca de las funciones del sistema y se describe cómo solucionar problemas del sistema e instalar o sustituir componentes.
- En la *Guía de implementación* se proporciona información acerca de la instalación y configuración del software y hardware.
- En la *Guía CLI* se proporciona información acerca de cómo utilizar la Interfaz de línea de comandos (CLI) para configurar y administrar la matriz de almacenamiento.
- La *SMI-S Provider Installation Guide* (Guía de instalación del proveedor SMI-S) proporciona información acerca de cómo instalar el proveedor SMI-S.
- En los soportes suministrados con el sistema se incluyen documentación y herramientas para configurar y administrar el sistema, incluidas las del sistema operativo, el software de administración del sistema, las actualizaciones del sistema y los componentes del sistema que haya adquirido con el sistema.

 **NOTA:** compruebe si hay actualizaciones en [support.dell.com/manuals](http://support.dell.com/manuals) y, si las hay, léalas antes de proceder a la instalación, puesto que a menudo sustituyen la información contenida en otros documentos.

# Preparación del servidor host

## Sistemas operativos admitidos

- Microsoft Windows Server
- Red Hat Enterprise Linux
- SUSE Linux Enterprise Server
- VMware



**NOTA:** si desea consultar la información más reciente acerca de todas las versiones compatibles de sistemas operativos, consulte la *Support Matrix* (Matriz de soporte) en [support.dell.com/manuals](http://support.dell.com/manuals).

## NIC adicionales para iSCSI

Recomendaciones para la instalación de NIC adicionales:

- Utilice redes de almacenamiento redundante dedicadas para el tráfico iSCSI. Si no es factible disponer de una red dedicada, separe el tráfico iSCSI del tráfico de red general mediante redes de área local virtuales (VLAN).
- Utilice NICs adicionales dedicados para el tráfico iSCSI.
- Las NICs deben añadirse en pares para obtener redundancia.



**NOTA:** también se admite una sola NIC.

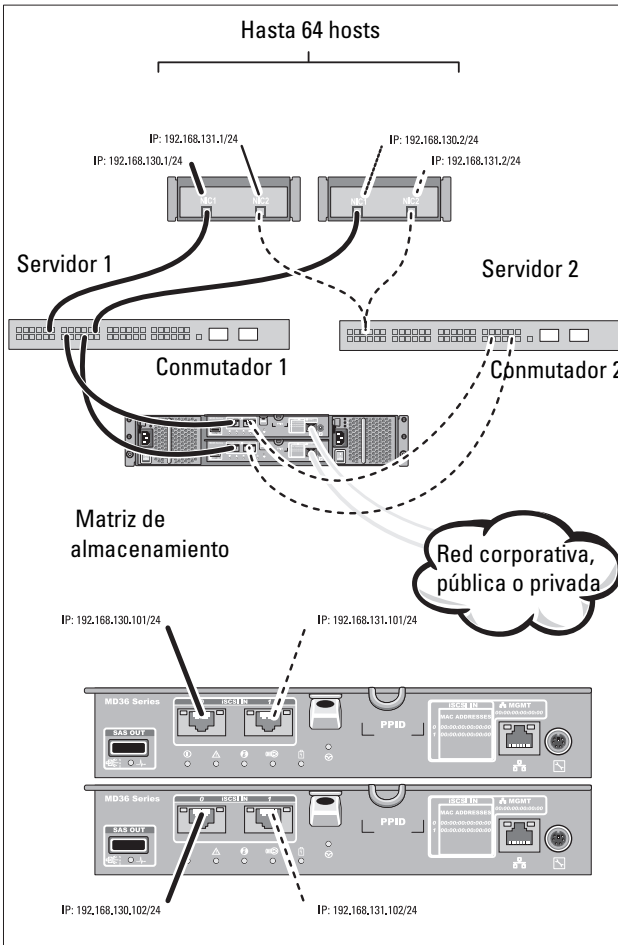
## Configuración de la NIC

En un entorno SAN, se recomienda utilizar dos subredes únicas para el tráfico iSCSI, en función del número de conmutadores. En los entornos de almacenamiento de conexión directa, cada NIC conectado directamente a PowerVault MD36xxi debe estar en una subred diferente. Todas la direcciones IP de host deben estar configuradas antes de instalar el software MD Storage.

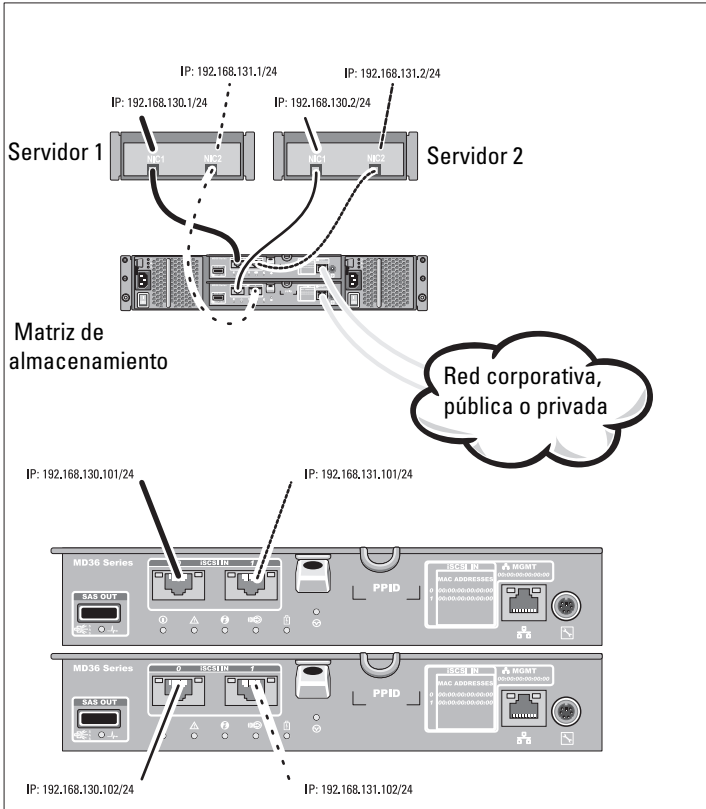
# Configuraciones comunes

## Cableado de los host de conexión SAN


Conecte todos los cables entre los servidores, conmutadores y matrices de almacenamiento como se muestra en la siguiente ilustración. Para obtener más ejemplos del cableado de matrices de almacenamiento, consulte la *Guía de implementación* en [support.dell.com/manuals](http://support.dell.com/manuals).



## Cableado de los host de conexión directa



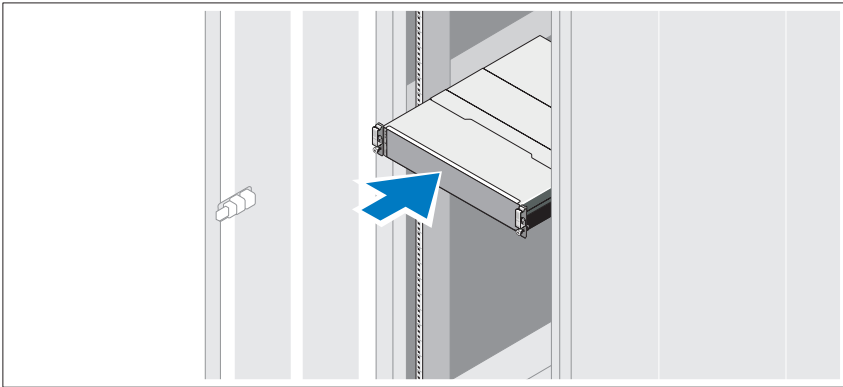
# Instalación y configuración

 **AVISO:** antes de realizar el procedimiento siguiente, revise las instrucciones de seguridad incluidas con el sistema.


## Desembalaje del sistema

Desembale el sistema e identifique cada elemento de la lista de embalaje que se envió con el sistema.

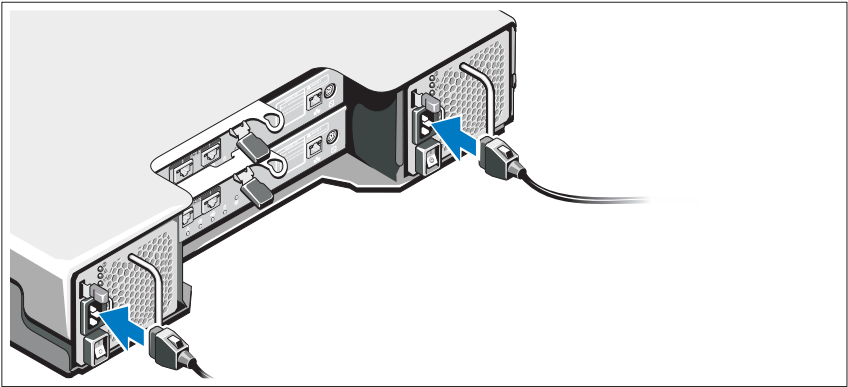
## Instalación de los rieles y del sistema en un bastidor



Monte los rieles e instale el sistema en el bastidor siguiendo las instrucciones de seguridad y de instalación del bastidor incluidas con el sistema.

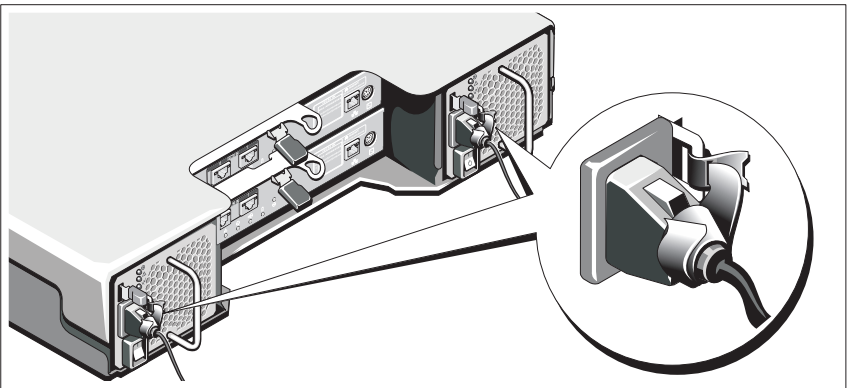
 **NOTA:** para equilibrar la carga del peso, se recomienda instalar la matriz de almacenamiento de la serie PowerVault MD3600i en la parte inferior del bastidor y los gabinetes de expansión de la serie PowerVault MD1200 encima de este.

## Conexión de los cables de alimentación



Asegúrese de que el conmutador de alimentación esté en la posición de APAGADO antes de conectar los cables de alimentación. Conecte los cables de alimentación del sistema al sistema.

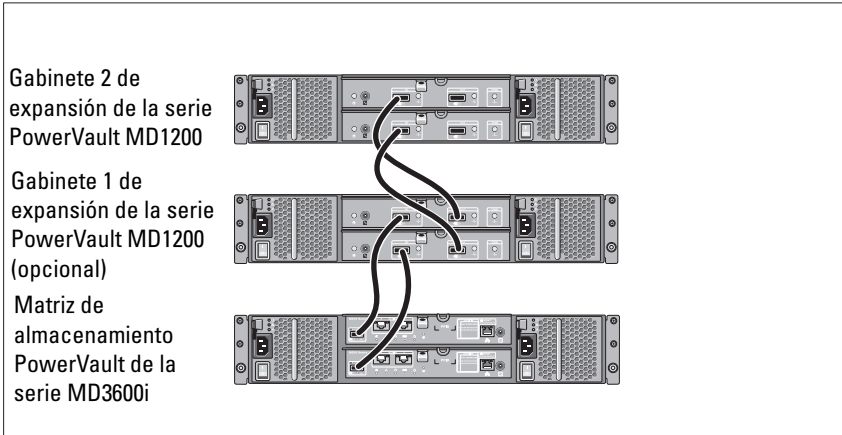
## Fijación de los cables de alimentación



Fije los cables al soporte con firmeza con la cinta proporcionada.



Conecte el otro extremo del cable de alimentación a una toma eléctrica con conexión a tierra o a otra fuente de alimentación, como por ejemplo un Sistema de alimentación ininterrumpida (SAI) o una Unidad de distribución de alimentación (PDU). Cada suministro de energía debe estar conectado a un circuito de alimentación diferente.

## Cableado del gabinete de expansión

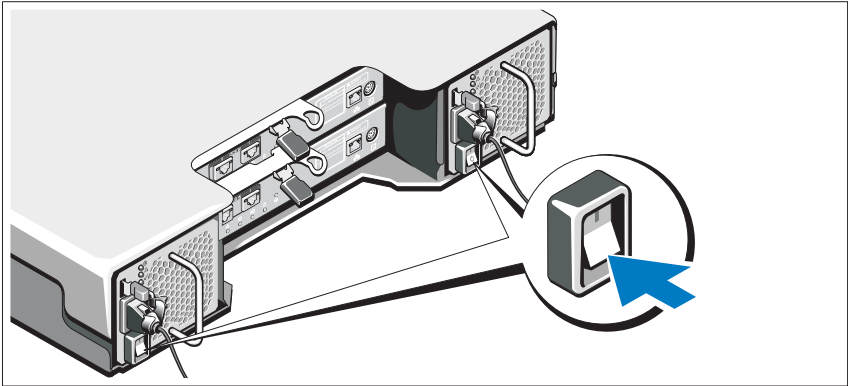


## Encendido del gabinete

Encienda los componentes en el orden siguiente:

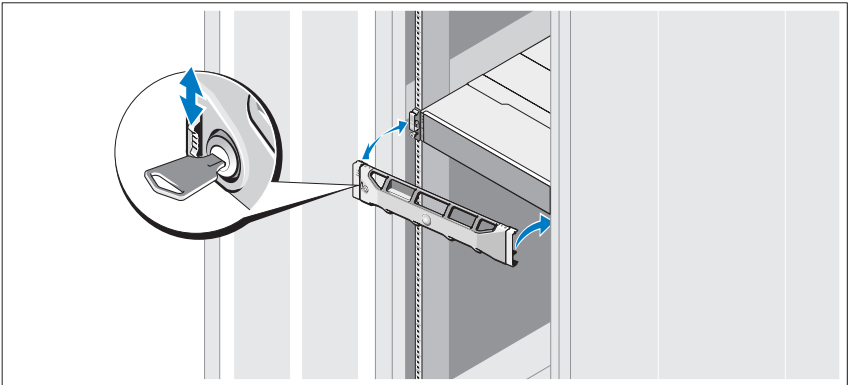
- 1 Conmutadores Ethernet (si se utilizan)
- 2 Gabinetes de expansión de la serie PowerVault MD1200 (si se utilizan)
  -  **NOTA:** antes de encender la matriz de almacenamiento, asegúrese de que el LED de estado del gabinete de expansión en la parte anterior del gabinete esté en azul.
- 3 Matriz de almacenamiento serie PowerVault serie MD3600i
  -  **NOTA:** antes de encender los servidores host, asegúrese de que el LED de estado de la matriz de almacenamiento de la parte anterior del gabinete esté en azul.





#### 4 Servidores host

### Instalación del bisel



Instale el bisel (opcional).

## Instalación del software MD Storage



**NOTA:** para obtener instrucciones detalladas acerca de la instalación del software MD Storage, la configuración del gabinete y las tareas posteriores a la instalación, consulte la *Guía de implementación*.

La aplicación MD Storage Manager configura, administra y supervisa la matriz de almacenamiento. La MD Configuration Utility (MDCU) es una utilidad opcional que proporciona un enfoque consolidado para la configuración de puertos de administración y de host iSCSI, y de la creación de sesiones para las matrices de almacenamiento en disco modular iSCSI. Se recomienda instalar y utilizar MDCU para configurar iSCSI en cada uno de los hosts conectados a la matriz de almacenamiento. Instalación del software MD Storage:

- 1 Inserte el soporte de recurso de las series MD.

Dependiendo del sistema operativo que tenga, el instalador puede iniciarse automáticamente. Si el instalador no se inicia automáticamente, vaya al directorio raíz del soporte de instalación (o imagen del instalador descargado) y ejecute el archivo `md_launcher.exe`. Para sistemas basados en Linux, vaya a la raíz del soporte de recursos y ejecute el archivo `autorun`.



**NOTA:** de manera predeterminada, el sistema operativo Red Hat Enterprise Linux (RHEL) monta el soporte de recursos con la opción `--noexec mount`, la cual no permite ejecutar archivos ejecutables. Para cambiar esta configuración, consulte el archivo `Léame` en el directorio raíz del soporte de instalación.

- 2 Seleccione **Install MD Storage Software** (Instalar el software MD Storage).
- 3 Lea y acepte el contrato de licencia.
- 4 Seleccione una de las siguientes opciones de instalación del menú desplegable **Install Set** (Conjunto de instalación):
  - **Full (recommended)** (Total [recomendado]): instala el software MD Storage Manager (cliente), el agente de almacenamiento basado en host, el controlador multirruta y proveedores de hardware.
  - **Host Only** (Solo host): instala el agente de almacenamiento basado en host y los controladores multirruta.
  - **Management** (Administración): instala el software de administración y los proveedores de hardware.
  - **Custom** (Personalizado): permite seleccionar componentes específicos

- 5 Seleccione los modelos de matrices MD Storage que está configurando para que sirvan como almacenamiento de datos para este servidor host
- 6 Elija si desea iniciar el servicio de monitor de eventos automática o manualmente al reiniciar el servidor host



**NOTA:** esta opción se aplica solo para la instalación del software cliente de Windows.

- 7 Confirme la ubicación de la instalación y haga clic en **Install** (Instalar).
- 8 Si se le solicita, reinicie el servidor host después de completar la instalación.
- 9 Una vez terminado el reinicio, la MDCU puede iniciarse automáticamente. Si la MDCU no se inicia automáticamente, iníciela manualmente.
  - En un sistema operativo basado en Windows, haga clic en **Inicio**→ **Dell**→ **Modular Disk Configuration Utility**.
  - En un sistema operativo basado en Linux, haga doble clic en el icono **Modular Disk Configuration Utility** en el escritorio.



**NOTA:** si no está instalada la MDCU, consulte la *Guía de implementación* en [support.dell.com/manuals](http://support.dell.com/manuals).

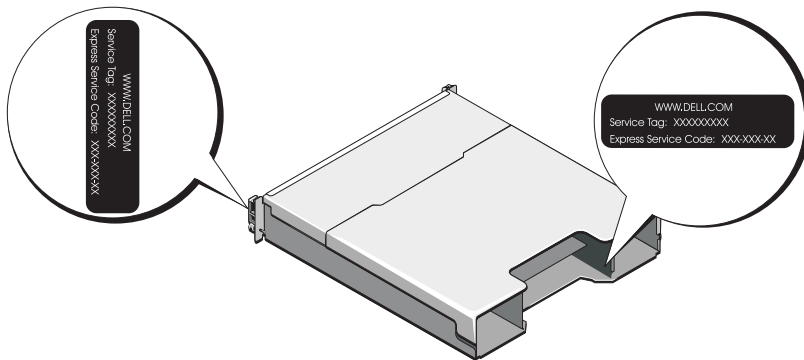
- 10 Inicie **MD Storage Manager** y detecte las matrices.
- 11 Si se aplica, active cualquiera de las funciones premium adquiridas con la matriz de almacenamiento. Si ha adquirido una función premium, consulte la tarjeta de activación impresa enviada con la matriz de almacenamiento.



**NOTA:** el instalador de **MD Storage Manager** instala automáticamente los controladores, el firmware y las revisiones/correcciones urgentes del sistema operativo necesarios para que funcione la matriz de almacenamiento. Estos controladores y el firmware se encuentran disponibles en [support.dell.com](http://support.dell.com). Además, consulte la *Support Matrix* (Matriz de compatibilidad) en [support.dell.com/manuals](http://support.dell.com/manuals) para obtener configuraciones adicionales o software necesarios para la matriz de almacenamiento específica.

## Localización de la etiqueta de servicio

El sistema se identifica mediante un Código de servicio rápido y un número de Etiqueta de servicio únicos. El Código de servicio rápido y la Etiqueta de servicio se encuentran en la parte anterior del sistema y también en la parte posterior, junto a los módulos de la controladora RAID. Dell utiliza esta información para dirigir las llamadas de asistencia al personal correspondiente.



## Información de la NOM (sólo para México)

La información que se proporciona a continuación aparece en el dispositivo descrito en este documento en cumplimiento con los requisitos de la Norma Oficial Mexicana (NOM):

Importador: Dell Inc. de México, S.A. de C.V.  
Paseo de la Reforma 2620 -11º Piso  
Col. Lomas Altas  
11950 México, D.F.

Número de modelo: E03J y E04J  
Voltaje de alimentación: 100-240 VCA  
Frecuencia: 50 Hz/60 Hz  
Consumo eléctrico: 8,6 A

# Especificaciones técnicas

---

## Unidades

---

PowerVault MD3600i	Hasta doce unidades de disco duro de intercambio directo SAS de 3,5 pulgadas (3,0 Gbps y 6,0 Gbps)
PowerVault MD3620i	Hasta 24 unidades de disco duro de intercambio directo SAS de 2,5 pulgadas (3,0 Gbps y 6,0 Gbps)

---

## Módulos de la controladora RAID

---

Módulos de la controladora RAID	<ul style="list-style-type: none"><li>• Uno o dos módulos de intercambio directo con sensores de temperatura</li><li>• 2 GB de caché por controladora</li></ul>
---------------------------------	---

---

## Conectores del panel posterior (por módulo de controladora RAID)

---

Conectores iSCSI	Dos conectores de entrada iSCSI de 10 GB para conectar hosts
Conector de expansión SAS	Un puerto de salida SAS para añadir un gabinete serie PowerVault MD1200 adicional. <b>NOTA:</b> los conectores SAS son compatibles con SFF-8088.
Conector serie	Un conector miniDIN de 6 patas <b>NOTA:</b> sólo para asistencia técnica.
Conector Ethernet de administración	Un puerto Ethernet 100/1000 Base-T para la administración fuera de banda del gabinete <b>NOTA:</b> las direcciones IP de puerto de administración predeterminadas para los módulos de la controladora RAID primarios y secundarios son 192.168.128.101 y 192.168.128.102, respectivamente. De manera predeterminada, los puertos de administración están definidos para el Dynamic Host Configuration Protocol (DHCP). Si la controladora no puede encontrar una configuración de la dirección IP de un servidor DHCP en un período de tiempo especificado (aproximadamente 3 minutos), vuelve de manera predeterminada al direccionamiento IP estático. Para obtener más información, consulte la <i>Guía de implementación</i> .

---

## Expansión

---

Serie PowerVault MD1200

Admite un máximo de 192 unidades de disco duro con cualquier combinación de gabinetes de expansión PowerVault MD1200 o PowerVault MD1220. El soporte para 192 unidades de disco duro es una función Premium y requiere activación. La cantidad máxima de discos duros admitidos sin utilizar la función Premium es 120.

La conectividad de la ruta de acceso redundante proporciona rutas de acceso redundantes a cada unidad de disco duro.

---

## Placa de plano posterior

---

Conectores

- 12 o 24 conectores de unidad de disco duro SAS
- Dos conectores para módulos de suministro de energía/ventilador de enfriamiento
- Dos conjuntos de conectores del módulo de controladora RAID
- Un conector del panel de control para LED anteriores y un conmutador de modo de alojamiento

Sensores

Dos sensores de temperatura

---

## Indicadores LED

---

Panel anterior

- Un indicador LED de dos colores para el estado del sistema
- Dos indicadores LED de un solo color para la alimentación y el modo gabinete

**NOTA:** el LED del modo gabinete no es aplicable a la matriz de almacenamiento de la serie PowerVault MD3600i.

Portaunidades de disco duro

- Un indicador LED de un solo color de actividad
- Un indicador LED de dos colores de estado por disco

Suministro de energía/ventilador de enfriamiento

Tres indicadores LED de estado para el estado del suministro de energía, los fallos del suministro de energía/ventilador y el estado de CA

---

**Indicadores LED (continuación)**

---

Módulo de la controladora RAID	Ocho LED de un solo color: <ul style="list-style-type: none"><li>• Uno de batería defectuosa</li><li>• Uno de caché activa</li><li>• Uno de controladora defectuosa</li><li>• Uno de alimentación de controladora</li><li>• Uno de identificación del sistema</li><li>• Uno de actividad Ethernet de administración</li><li>• Dos de actividad del puerto de entrada iSCSI</li></ul> Cuatro LED` s de dos colores: <ul style="list-style-type: none"><li>• Dos de velocidad del enlace de entrada iSCSI</li><li>• Uno de fallo o enlace de salida de SAS</li><li>• Uno de velocidad del enlace Ethernet de administración</li></ul>
--------------------------------	---

---

**Conmutador**

---

Botón de identificación del sistema	Ubicado en el panel de control anterior. Este botón se usa para ubicar un sistema en un bastidor.
Conmutador de modo de alojamiento	Situado en la parte anterior del sistema. Este conmutador no se aplica a la matriz de almacenamiento de la serie PowerVault MD3600i.
Conmutador de restablecimiento de contraseña	Situado en el panel posterior del módulo de controladora RAID. Este conmutador se utiliza para restablecer la contraseña de la matriz de almacenamiento.

---

**Suministros de energía**

---

Suministro de energía de CA (por suministro de energía )	
Potencia	600 W
Voltaje	100–240 VAC (8,6 A–4,3 A)
Disipación de calor	100 W
Corriente de conexión máxima	En condiciones normales de línea y en todo el rango operativo ambiente del sistema, la irrupción de corriente puede alcanzar un máximo de 55 A por cada suministro de energía durante 10 ms o menos.

---

**Alimentación de la unidad de disco duro disponible (por ranura)**

---

PowerVault MD3600i	25 W
PowerVault MD3620i	12 W

---

**Alimentación del módulo de controladora RAID (por ranura)**

---

Consumo de energía máximo	100 W
---------------------------	-------

---

**Características físicas**

---

## PowerVault MD3600i

Altura	8,68 cm (3,41 pulgadas)
Anchura	44,63 cm (17,57 pulgadas)
Profundidad	60,20 cm (23,70 pulgadas)
Peso (configuración máxima)	29,30 kg (64,6 libras)
Peso (vacío)	8,84 kg (19,5 libras)

## PowerVault MD3620i

Altura	8,68 cm (3,41 pulgadas)
Anchura	44,63 cm (17,57 pulgadas)
Profundidad	54,90 cm (21,61 pulgadas)
Peso (configuración máxima)	24,2 kg (53,4 libras)
Peso (vacío)	8,61 kg (19 libras)

---

**Especificaciones medioambientales**

---

**NOTA:** para obtener información adicional acerca de medidas ambientales relativas a configuraciones del sistema específicas, vaya a [www.dell.com/environmental\\_datasheets](http://www.dell.com/environmental_datasheets).

## Temperatura

En funcionamiento	De 10 °C a 35 °C (de 50 °F a 95 °F) con una gradación de temperatura máxima de 10 °C por hora
-------------------	---

**NOTA:** para altitudes superiores a 900 m, la temperatura máxima de funcionamiento se reduce 1 °C cada 334 m (1 °F/550 pies).



---

**Especificaciones medioambientales (continuación)**

---

Almacenamiento	De -40 °C a 65 °C (de -40 °F a 149 °F) con una gradación de temperatura máxima de 20 °C por hora
Humedad relativa	
En funcionamiento	Del 20% al 80% (sin condensación) con una gradación de humedad máxima del 10% por hora
Almacenamiento	Del 5% al 95% (sin condensación)
Vibración máxima	
En funcionamiento	De 0,25 G a 3-200 Hz durante 15 minutos
Almacenamiento	De 0,5 G a 3-200 Hz durante 15 minutos
Impacto máximo	
En funcionamiento	Un choque en el sentido positivo del eje z (un choque en cada lado del sistema) de 31 G durante 2,6 ms en la orientación de funcionamiento
Almacenamiento	Seis impulsos de choque ejecutados consecutivamente en los ejes positivo y negativo x, y y z (un impulso en cada lado del sistema) de 71 G durante un máximo de 2 ms
Altitud	
En funcionamiento	De -16 m a 3.048 m (de -50 pies a 10.000 pies) <b>NOTA:</b> para altitudes superiores a 900 m (2950 pies), la temperatura máxima de funcionamiento se reduce 1 °C cada 334 m (1 °F/550 pies).
Almacenamiento	De -16 m a 10.600 m (de -50 a 35.000 pies)
Nivel de contaminación atmosférica	
Clase	G1 de acuerdo con ISA-S71.04-1985







Printed in the U.S.A.  
Imprimé aux U.S.A.  
Impresso nos EUA.  
Impreso en los EE.UU.

[www.dell.com](http://www.dell.com) | [support.dell.com](http://support.dell.com)



0407CVA02



Printed in Brazil.  
Imprimé au Brésil.  
Impresso no Brasil.  
Impreso en Brasil.

[www.dell.com](http://www.dell.com) | [support.dell.com](http://support.dell.com)



0407CVA02